

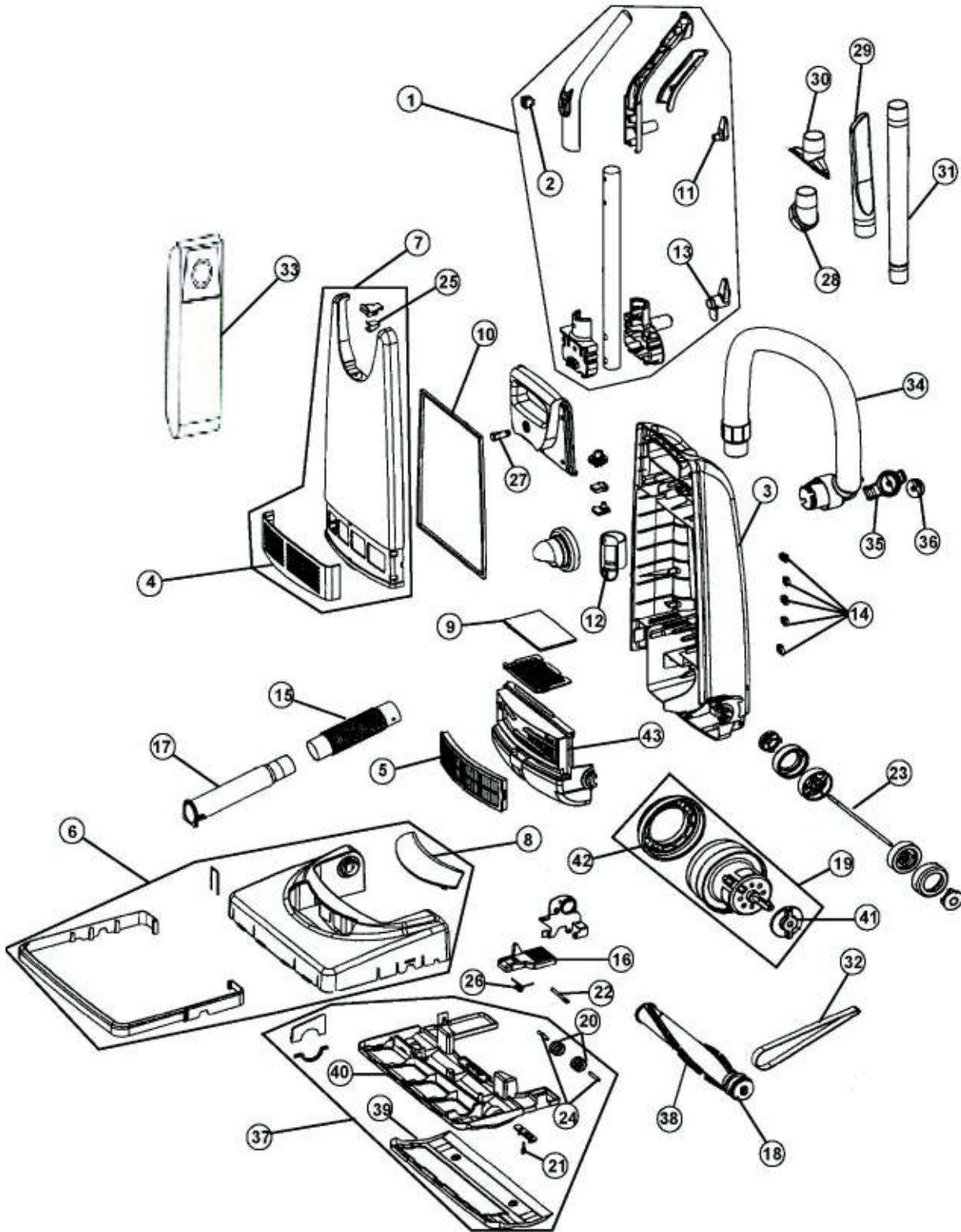
# Protégé

— 7300 —

## ASSEMBLY SCHEMATIC

MODEL NO.

RY7300





### PARTS LIST

MODEL NO.

**RY7300**

Item	Part Number	Model's To Fit	Part Description
1	2PD0455000	RY7300	UPPER HANDLE ASSEMBLY
2	1PD0425000	RY7300	SWITCH
3	1PD0030000	RY7300	BACK PANEL
4	1PD0070000	RY7300	FILTER COVER
5	3621910200	RY7300	EXHAUST FILTER & FRAME ASSEMBLY
6	2PD0103000	RY7300	NOZZLE COVER ASSEMBLY
7	2PD0030000	RY7300	FRONT PANEL ASSEMBLY
8	1PD0130000	RY7300	LENS
9	1PD0265000	RY7300	BAG CHAMBER FILTER
10	1PD0175000	RY7300	FRONT PANEL GASKET
11	1PD0435000	RY7300	UPPER CORD HOOK
12	1PD0190000	RY7300	HOSE CONNECTOR
13	1PD0450000	RY7300	LOWER CORD HOOK
14	1PD0080000	RY7300	TOOL CLIP
15	1PD0195000	RY7300	LOWER HOSE
16	1PD0325000	RY7300	HANDLE RELEASE PEDAL
17	1PD0140000	RY7300	LOWER DIRT TUBE
18	2PD0210000	RY7300	BRUSH ROLL ASSEMBLY
19	2PD0056000	RY7300	MOTOR ASSEMBLY
20	1PD0145000	RY7300	FRONT ROLLER
21	1PD0025000	RY7300	NOZZLE RELEASE SCREW
22	1pD0330000	RY7300	HANDLE RELEASE PIN
23	1PD0085000	RY7300	REAR WHEEL AXLE
24	1pD0020000	RY7300	FRONT ROLLER AXLE
25	1PD0281000	RY7300	FRONT PANEL SPRING
26	1PD0335000	RY7300	HANDLE RELEASE SPRING
27	1PD0185000	RY7300	FBI LAMP
28	1PD0170000	RY7300	DUSTING BRUSH
29	1PD0160000	RY7300	CREVICE TOOL
30	1PD0165000	RY7300	UPHOLSTERY TOOL
31	2PD0152000	RY7300	TELESCOPIC WAND ASSEMBLY
32	1pD0340600	RY7300	STYLE 14 BELT
33	3115016000	RY7300	TYPE U BAG / ROYALAIR - 7 PACK



MODEL NO.

**RY7300**

Item	Part Number	Model's To Fit	Part Description
34	2PD0246B00	RY7300	HOSE ASSEMBLY
35	1PD0010600	RY7300	HOSE ADAPTOR COVER
36	1PD0030B00	RY7300	HOSE ADAPTOR VALVE
37	2PD0115000	RY7300	NOZZLE GUARD WITH BASE PLATE
38	NOT AVAILABLE	RY7300	BRISTLE STRIPS (EA) BRUSH ROLL USES FOUR STRIPS
39	1PD0115000	RY7300	BASE PLATE
40	1PD0120000	RY7300	NOZZLE GUARD
41	3624009400	RY7200	MOTOR GROMMET
42	3627901700	RY7200	MOTOR GASKET
43	3621437500	RY7200	MOTOR COVER
**	M308	RY7300	ATTACHMENT TOOL KIT