

## LAMB ELECTRIC

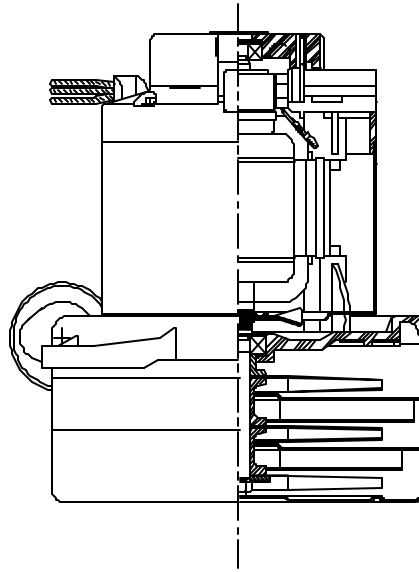
**Model: 117507-00**  
**117507-13\***

### DESCRIPTION

- Three stage
- 120 volts
- 7.2"/183 mm
- Double ball bearing construction
- Single speed
- Tangential bypass discharge
- Thermoset fan end bracket
- Thermoset plastic commutator bracket

### DESIGN APPLICATION

- Equipment operating in environments requiring separation of working air from motor ventilating air
- Designed to handle clean, dry, filtered air only



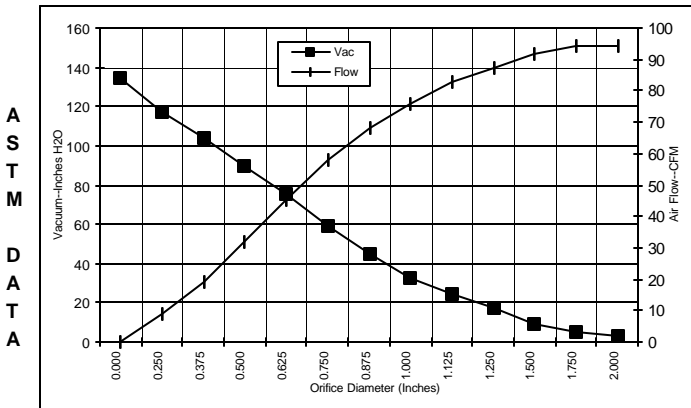
### SPECIAL FEATURES

- Suitable for 120 volt operation, 50 or 60 Hz
- UL Recognized, category PRGY2 (E47185)
- CSA Certified, class 1611 01 (LR31393)
- Provision for grounding
- 10 mm shaft and bearing system
- The Lamb Electric vacuum motor line offers a wide range of performance levels to meet design needs

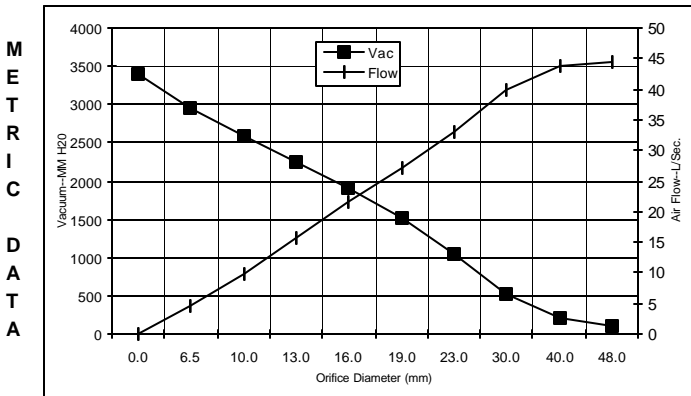
\* Model 117507-13 features patented air seal bearing construction, U.S. Patent #4,088,424 and epoxy painted fan case

### TYPICAL MOTOR PERFORMANCE.\*

(At 120 volts, 60Hz, test data is corrected to standard conditions of 29.92 Hg, 68° F.)



Orifice (Inches)	Amps	Watts (In)	RPM	Vac (In.H <sub>2</sub> O)	Flow (CFM)	Air Watts
2.000	12.7	1455	17050	3.1	94.0	35
1.750	12.7	1460	17000	5.3	94.0	59
1.500	12.6	1451	17000	9.4	92.0	101
1.250	12.7	1453	16900	17.4	87.0	178
1.125	12.7	1464	17000	24.0	83.0	233
1.000	12.7	1456	17000	32.7	76.0	294
0.875	12.7	1455	17050	44.5	68.0	356
0.750	12.5	1438	17200	59.6	58.0	406
0.625	11.9	1383	17625	75.7	45.0	403
0.500	11.2	1300	18300	89.8	32.0	333
0.375	10.2	1195	19225	104.2	19.0	234
0.250	9.2	1091	20400	116.9	9.0	124
0.000	8.6	949	21425	134.1	0.0	0



Orifice (mm)	Amps	Watts (In)	RPM	Vac (mm H <sub>2</sub> O)	Flow (L/Sec)	Air Watts
48.0	12.7	1457	17028	103	44.4	46
40.0	12.6	1454	17000	208	43.7	88
30.0	12.7	1459	16955	534	40.0	208
23.0	12.7	1455	17038	1055	33.0	341
19.0	12.5	1437	17209	1522	27.3	406
16.0	11.9	1385	17608	1906	21.5	403
13.0	11.3	1308	18233	2245	15.7	340
10.0	10.4	1211	19086	2592	9.9	249
6.5	9.3	1096	20341	2953	4.5	130
0.0	8.6	949	21425	3406	0.0	0

Note: Metric performance data is calculated from the ASTM data above.

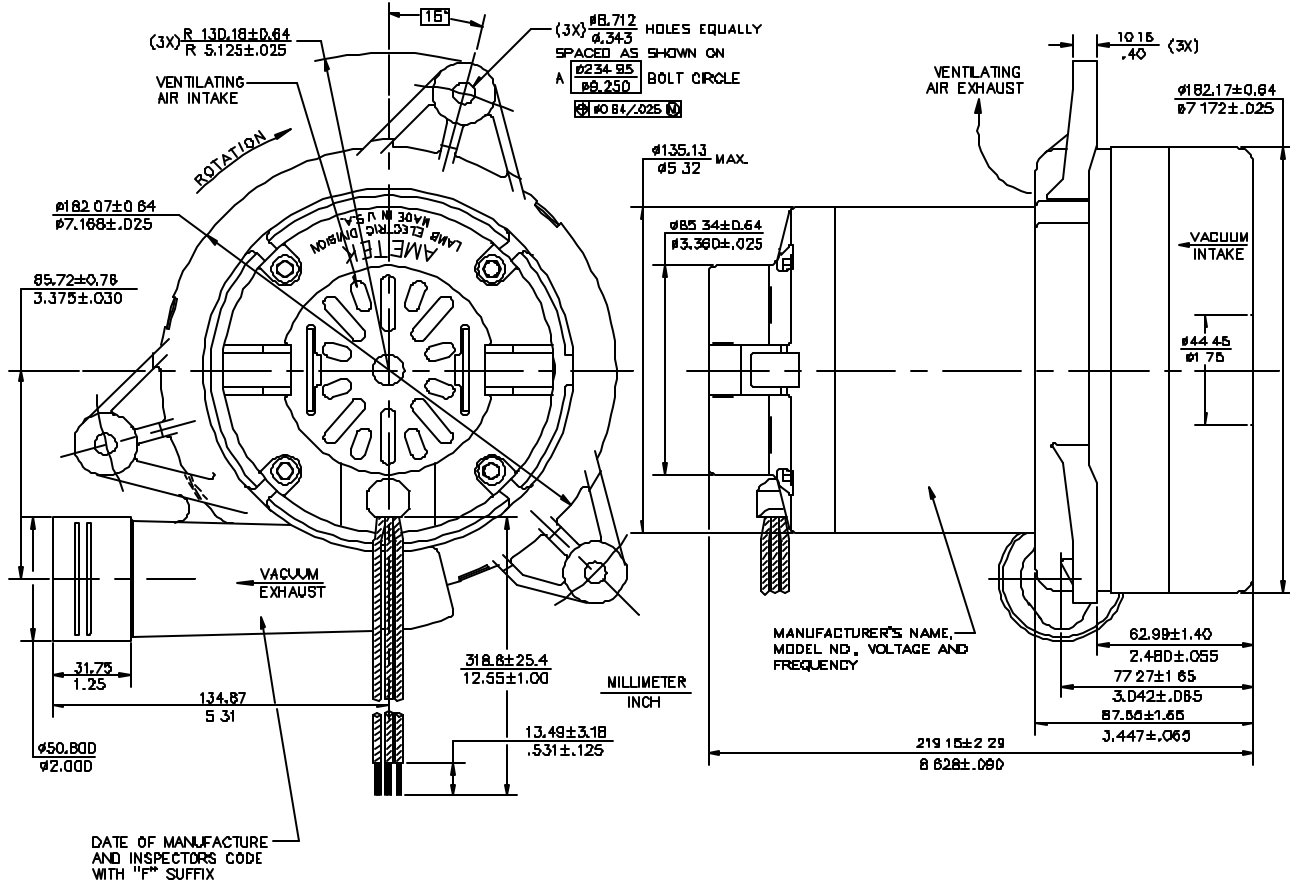
\* Data represents performance of a typical motor sampled from a large production quantity. Individual motor data may vary due to normal manufacturing variat

Test Specs:	120 volts	Minimum Sealed Vacuum:	130.0"	ORIFICE:	7/8"	Minimum Vacuum:	42.0"	Maximum Watts:	1600
-------------	-----------	------------------------	--------	----------	------	-----------------	-------	----------------	------

**DIMENSIONS**

**NOTES:**

1. LEADS: 18GA. STRANDED, ONE BLACK AND ONE WHITE. GROUND LEAD: 18GA. STRANDED, COLOR GREEN WITH YELLOW STRIPE.



**IMPORTANT NOTE:** Pictorial and dimensional data are subject to change without notice. Contact factory for current revision levels.

**WARNING** - When using AMETEK Lamb Electric bypass motors in machines that come in contact with foam, liquid (including water), or other foreign substances, the machine must be designed and constructed to prevent those substances from reaching the fan system, motor housing, and electrical components. Lamb Electric vacuum motors other than hazardous duty models should not be applied in machines that come in contact with dry chemicals or other volatile materials. Failure to observe these precautions could cause flashing (depending on volatility) or electrical shock which could result in property damage and severe bodily injury, including death in extreme cases. All applications incorporating Lamb Electric motors should be submitted to appropriate organizations or agencies for testing specifically related to the safety of your equipment.

**AMETEK/Lamb Electric Division**  
 627 Lake Street  
 Kent, Ohio 44240  
 U.S.A.  
 Tel: (330) 673-3451  
 Fax: (330) 673-8994

**Ametek GmbH**  
 Weillimdorfer Str. 47  
 D-70825 Korntal-Munchingen  
 Germany  
 Phone: + 49-711-838-7876  
 Fax: + 49-711-838-7862

**AMETEK/Singapore Private Limited**  
 10 Ang Mo Kio Street 65  
 # 05-12 Techpoint  
 Singapore 2056  
 Tel: + 65-484-2388  
 Fax: + 65-481-6588