



**SPECIAL FEATURES**

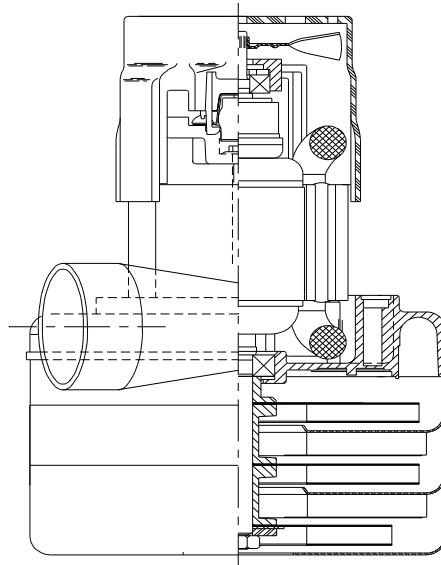
- Suitable for 120 volt AC operation, 50/ 60 Hz
- UL recognized, category PRGY2 (E47185)
- CSA Certified, class 1611 01 (LR31393)
- Provision for grounding
- Open frame design
- 10mm shaft and bearing system
- Aluminum fan end bracket designed to dampen vibration and improve durability
- The Lamb Electric vacuum motor line offers a wide range of performance levels to meet design needs
- \*-29 features patented air seal bearing protection, (U.S. #4,088,424) plus epoxy paint, and a 1.5" inlet tube**

**DESCRIPTION**

- Three stage
- 120 volts
- 5.7"/145 mm diameter
- Double ball bearings
- Single speed
- Tangential bypass discharge
- Aluminum fan end bracket
- Aluminum commutator bracket

**DESIGN APPLICATION**

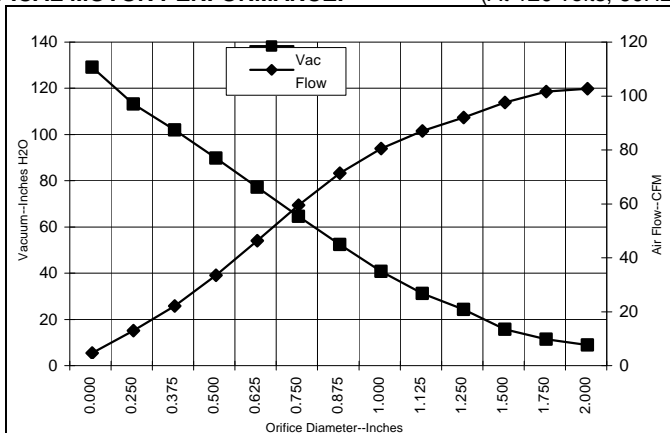
- Equipment operating in environments requiring separation of working air from motor ventilating air
- Designed to handle clean, dry, filtered air only



**TYPICAL MOTOR PERFORMANCE.\***

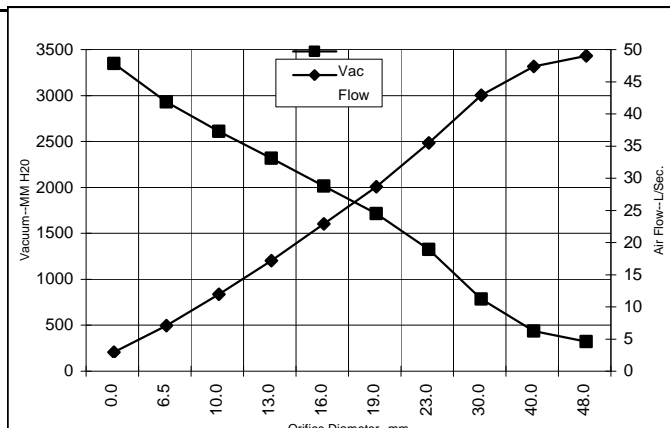
(At 120 volts, 60Hz, test data is corrected to standard conditions of 29.92 Hg, 68° F.)

**A  
S  
T  
M  
  
D  
A  
T  
A**



Orifice (Inches)	Amps	Watts (In)	RPM	Vac (In.H <sub>2</sub> O)	Flow (CFM)	Air Watts
2.000	11.1	1272	18143	3.5	98.0	40
1.750	11.1	1269	18146	5.9	97.0	67
1.500	11.2	1277	18086	10.3	92.9	113
1.250	11.3	1285	18036	18.9	87.4	195
1.125	11.3	1292	18003	25.8	82.4	250
1.000	11.3	1295	17943	35.3	75.8	315
0.875	11.3	1290	17996	46.9	66.7	368
0.750	11.1	1263	18200	59.1	54.8	381
0.625	10.5	1203	18696	71.7	41.7	351
0.500	9.8	1124	19473	84.3	28.9	286
0.375	8.9	1027	20483	96.5	17.4	197
0.250	8.0	936	21470	107.8	8.3	106
0.000	7.3	859	22463	123.7	0.0	0

**M  
E  
T  
R  
I  
C  
  
D  
A  
T  
A**



Orifice (mm)	Amps	Watts (In)	RPM	Vac (mm H <sub>2</sub> O)	Flow (L/Sec)	Air Watts
48.0	11.1	1271	18144	116	46.0	52
40.0	11.2	1275	18104	228	44.4	99
30.0	11.3	1289	18018	576	40.0	225
23.0	11.3	1291	17983	1118	32.6	355
19.0	11.0	1262	18210	1508	25.7	380
16.0	10.5	1205	18676	1808	19.9	352
13.0	9.8	1132	19395	2109	14.2	293
10.0	9.0	1042	20332	2405	9.0	210
6.5	8.1	941	21421	2724	4.1	111
0.0	7.3	859	22463	3142	0.0	0

Note: Metric performance data is calculated from the ASTM data above.

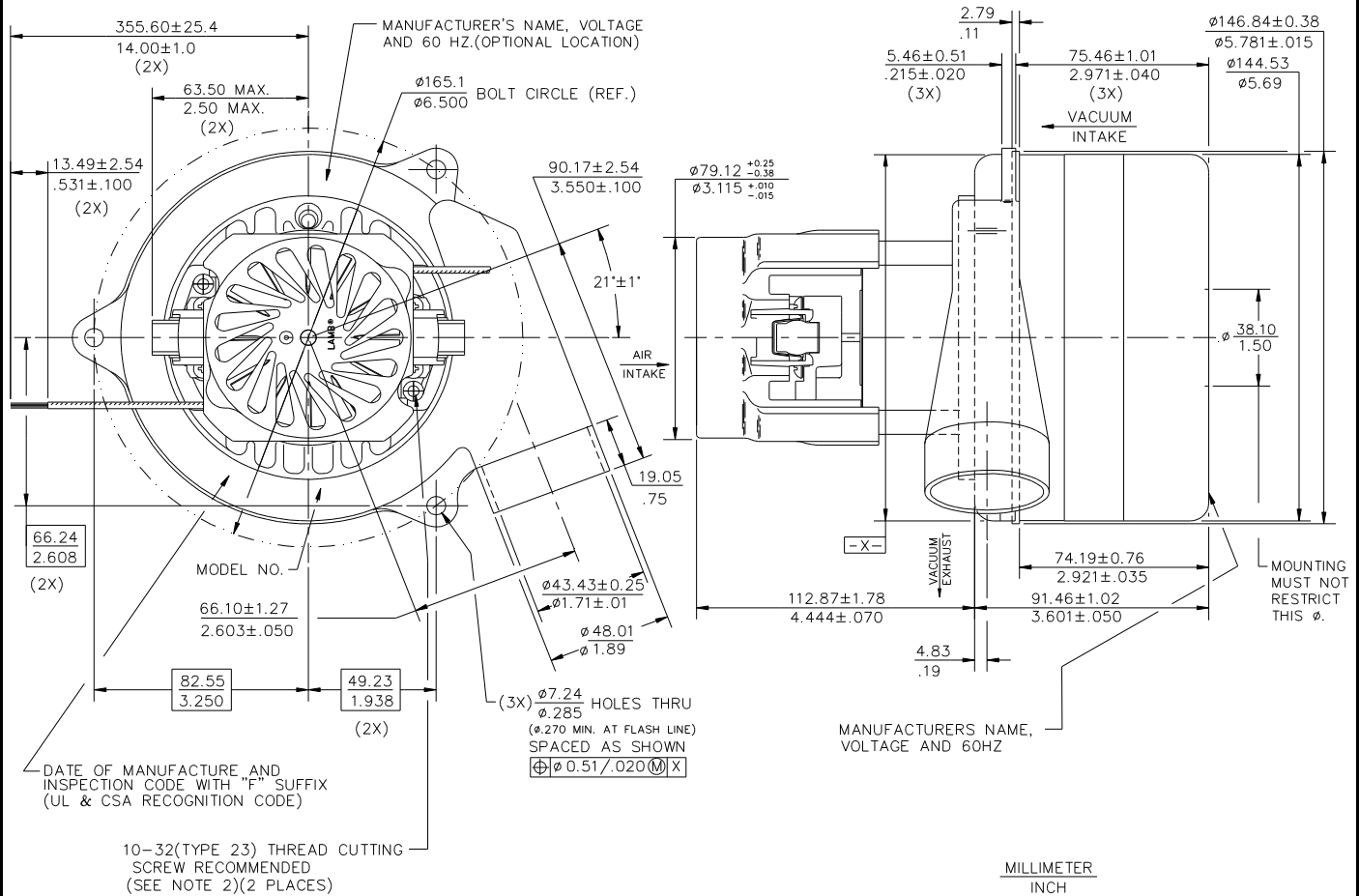
\* Data represents performance of a typical motor sampled from a large production quantity. Individual motor data may vary due to normal manufacturing variations.

<b>Test Specs:</b>	<b>120 volts</b>	<b>Minimum Sealed Vacuum:</b>	<b>112.0"</b>	<b>ORIFICE:</b>	<b>7/8 "</b>	<b>Minimum Vacuum:</b>	<b>44.0"</b>	<b>Maximum Watts:</b>	<b>1450</b>
--------------------	------------------	-------------------------------	---------------	-----------------	--------------	------------------------	--------------	-----------------------	-------------

**DIMENSIONS**

NOTES:

1. LEADS: 18 GA. STRANDED. LEADS CAN BE ANY COLOR EXCEPT GREEN OR GREEN WITH YELLOW STRIPE.
2. GROUNDING OR EARTHING PROVISIONS: USE HOLES AS INDICATED FOR GROUNDING OR EARTHING. REFER TO APPROPRIATE LISTING OR REGULATORY AGENCY FOR PROPER METHOD OF GROUNDING OR EARTHING.



**IMPORTANT NOTE:** Pictorial and dimensional data are subject to change without notice. Contact factory for current revision levels.

**WARNING** - When using AMETEK Lamb Electric bypass motors in machines that come in contact with foam, liquid (including water), or other foreign substances, the machine must be designed and constructed to prevent those substances from reaching the fan system, motor housing, and electrical components. Lamb Electric vacuum motors other than hazardous duty models should not be applied in machines that come in contact with dry chemicals or other volatile materials. Failure to observe these precautions could cause flashing (depending on volatility) or electrical shock which could result in property damage and severe bodily injury, including death in extreme cases. All applications incorporating Lamb Electric motors should be submitted to appropriate organizations or agencies for testing specifically related to the safety of your equipment.

**AMETEK/Lamb Electric Division**  
 627 Lake Street  
 Kent, Ohio 44240  
 U.S.A.  
 Tel: (330) 673-3451  
 Fax: (330) 673-8994

**Ametek GmbH**  
 P. O. Box 1251  
 D-71667 Marbach  
 Germany  
 Phone: + 49-714-484-9512  
 Fax: + 49-714-484-9513

**AMETEK/Singapore Private Limited**  
 10 Ang Mo Kio Street 65  
 # 05-12 Techpoint  
 Singapore 2056  
 Tel: + 65-484-2388  
 Fax: + 65-481-6588