



AMETEK
LAMB ELECTRIC

Product Bulletin

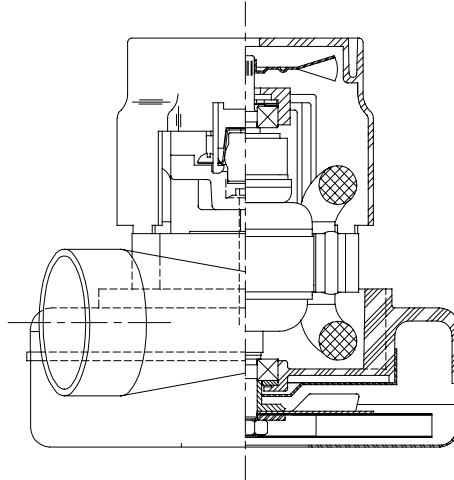
Model: 117395-37

DESCRIPTION

- Single stage
- 120 volts
- 5.7"/145mm diameter
- Double ball bearings
- Single speed
- Bypass tangential discharge
- Thermoset fan bracket
- Aluminum commutator bracket

DESIGN APPLICATION

- Equipment operating in environments requiring separation of working air from motor ventilating air.
- Designed to handle clean, dry, filtered air only

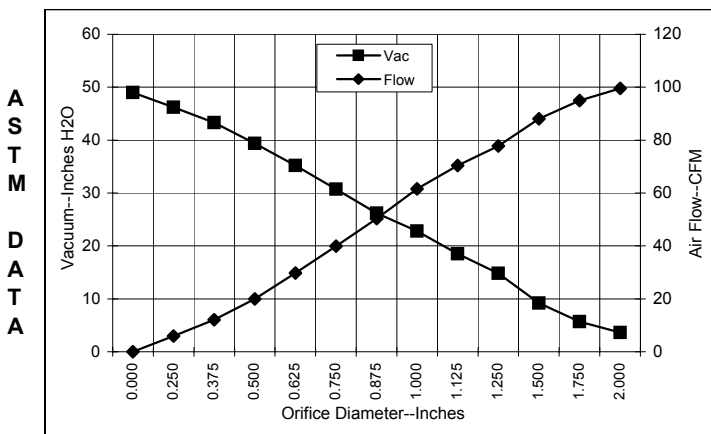


SPECIAL FEATURES

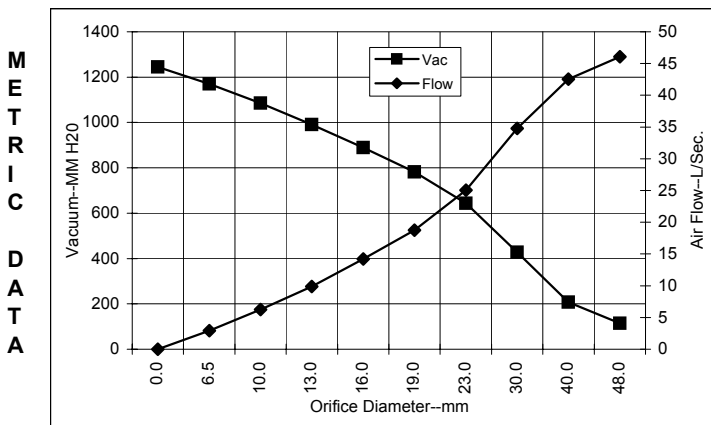
- Suitable for 120 volt AC operation, 50/60 Hz
- UL Certified, category PRGY2 (E47185)
- CSA Certified, class 1611 01 (LR31393)
- Provision for grounding
- Skeleton frame design
- Patented Air Seal Bearing Protection. U.S. Patent # 4,088,424
- Epoxy painted fan case
- The Lamb vacuum motor line offers a wide range of performance levels to meet design needs

TYPICAL MOTOR PERFORMANCE.*

(At 120 volts, 60Hz, test data is corrected to standard conditions of 29.92 Hg, 68° F.)



Orifice (Inches)	Amps	Watts (In)	RPM	Vac (In.H ₂ O)	Flow (CFM)	Air Watts
2.000	6.7	764	18176	3.6	99.6	42
1.750	6.7	767	18186	5.7	95.0	63
1.500	6.7	766	18186	9.2	88.1	96
1.250	6.6	761	18306	14.8	77.8	136
1.125	6.6	755	18478	18.5	70.4	153
1.000	6.5	745	18752	22.8	61.6	165
0.875	6.2	716	19222	26.2	50.3	155
0.750	6.0	689	19852	30.7	39.9	144
0.625	5.7	656	20604	35.2	29.7	123
0.500	5.4	626	21486	39.4	19.9	92
0.375	5.2	601	22216	43.3	12.1	62
0.250	5.0	579	22718	46.2	5.9	32
0.000	4.8	561	23284	49.0	0.0	0



Orifice (mm)	Amps	Watts (In)	RPM	Vac (mm H ₂ O)	Flow (L/Sec)	Air Watts
48.0	6.7	765	18180	115	46.1	51
40.0	6.7	766	18186	207	42.6	86
30.0	6.6	758	18401	428	34.8	145
23.0	6.3	723	19105	644	25.1	158
19.0	6.0	688	19867	782	18.7	144
16.0	5.7	657	20574	890	14.2	124
13.0	5.5	629	21398	990	9.9	95
10.0	5.2	605	22107	1085	6.3	67
6.5	5.0	580	22693	1170	2.9	34
0.0	4.8	561	23284	1245	0.0	0

Note: Metric performance data is calculated from the ASTM data above.

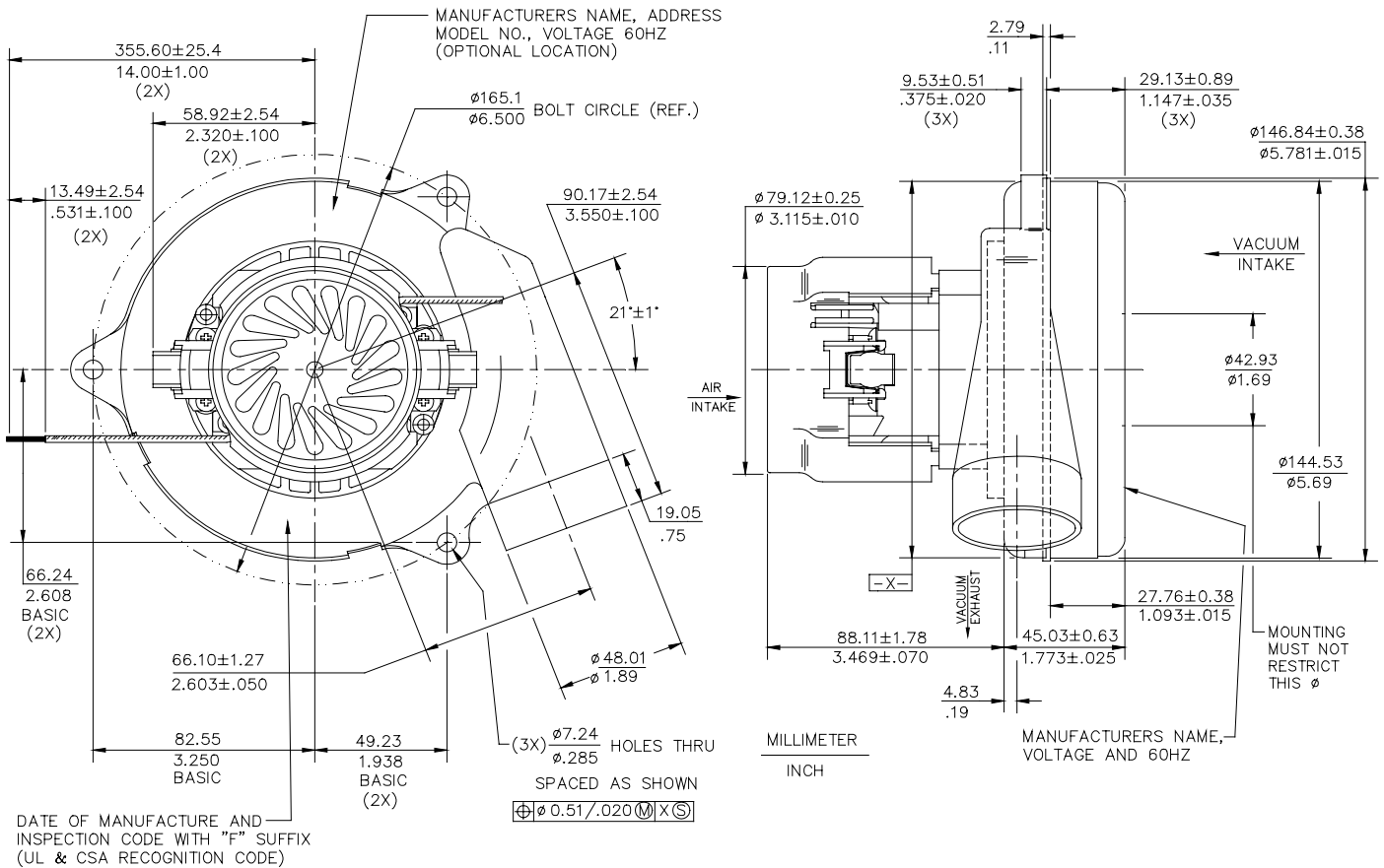
* Data represents performance of a typical motor sampled from a large production quantity. Individual motor data may vary to normal manufacturing variations.

Test Specs:	120 volts	Minimum Sealed Vacuum:	45.0'	ORIFICE:	7/8 "	Minimum Vacuum:	25.0"	Maximum Watts:	750
--------------------	-----------	-------------------------------	-------	-----------------	-------	------------------------	-------	-----------------------	-----

DIMENSIONS

NOTES:

1. LEADS: 18GA STRANDED, LEADS CAN BE ANY COLOR EXCEPT GREEN OR GREEN WITH YELLOW STRIPE.



IMPORTANT NOTE: Pictorial and dimensional data are subject to change without notice. Contact factory for current revision levels.

WARNING - When using AMETEK/Lamb Electric bypass motors in machines that come in contact with foam, liquid (including water) or other foreign substances, the machine must be designed and constructed to prevent those substances from reaching the fan system, motor housing and electrical components. Lamb vacuum motors other than hazardous duty models should not be applied in machines that come in contact with dry chemicals or other volatile materials. Failure to observe these precautions could cause flashing (depending on volatility) or electrical shock which could result in property damage and severe bodily injury, including death in extreme cases. All applications incorporating Lamb motors should be submitted to appropriate organizations or agencies for testing specifically related to the safety of your equipment.

AMETEK/Lamb Electric Division
627 Lake Street
Kent, Ohio 44240
U.S.A.
Tel: (330) 673-3451
Fax: (330) 673-8994

Ametek GmbH
P. O. Box 1251
D-71667 Marbach
Germany
Phone: + 49-714-484-9512
Fax: + 49-714-484-9513

AMETEK/Singapore Private Limited
10 Ang Mo Kio Street 65
05-12 Techpoint
Singapore 2056
Tel: + 65-484-2388
Fax: + 65-481-6588