

LAMB ELECTRIC

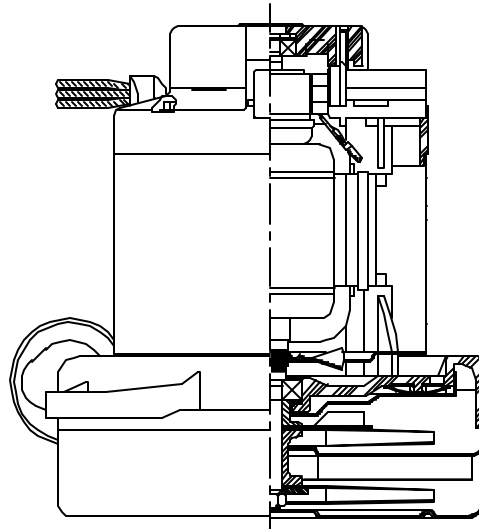
**Model: 117157-00
117157-13***

DESCRIPTION

- Two stage
- 240 volts
- 7.2"/183mm diameter
- Single speed
- Double ball bearings
- Tangential bypass discharge
- Thermoset fan end bracket
- Thermoset commutator bracket

DESIGN APPLICATION

- Equipment operating in environments which require separation of working air from motor ventilating air.
- Designed to handle clean, dry, filtered air only.



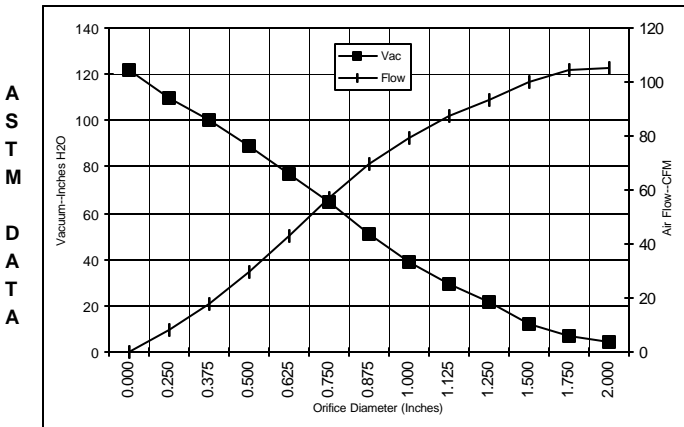
SPECIAL FEATURES

- Suitable for 240 volt AC operation, 50/60 Hz
- UL recognized, category PRGY2 (E47185)
- Provision for grounding
- 10 mm shaft and bearing system
- The Lamb Electric vacuum motor line offers a wide range of performance levels to meet design needs

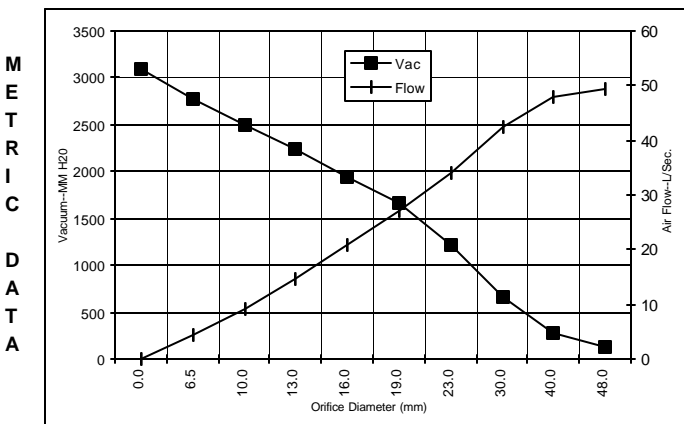
***Model 117157-13 features patented air seal bearing construction, U.S. Patent #4,088,424 and epoxy painted fan case**

TYPICAL MOTOR PERFORMANCE.*

(At 240 volts, 60Hz, test data is corrected to standard conditions of 29.92 Hg, 68° F.)



Orifice (Inches)	Amps	Watts (In)	RPM	Vac (In.H ₂ O)	Flow (CFM)	Air Watts
2.000	6.0	1380	19591	4.0	104.9	50
1.750	6.0	1380	19607	6.9	104.6	85
1.500	6.0	1381	19605	12.1	100.2	142
1.250	6.0	1384	19559	21.9	93.6	241
1.125	6.0	1383	19561	29.2	87.4	301
1.000	6.0	1377	19594	38.7	79.2	361
0.875	6.0	1365	19682	50.8	69.3	414
0.750	5.8	1330	19943	64.9	57.3	437
0.625	5.5	1264	20486	77.3	43.3	393
0.500	5.1	1181	21370	89.2	29.7	311
0.375	4.7	1080	22400	100.3	17.7	209
0.250	4.3	999	23503	109.9	8.5	110
0.000	4.0	929	24628	122.0	0.0	0



Orifice (mm)	Amps	Watts (In)	RPM	Vac (mm H ₂ O)	Flow (L/Sec)	Air Watts
48.0	6.0	1380	19598	135	49.5	65
40.0	6.0	1381	19606	268	47.9	125
30.0	6.0	1383	19560	658	42.6	274
23.0	6.0	1368	19660	1213	33.9	401
19.0	5.8	1329	19954	1655	26.9	436
16.0	5.5	1267	20464	1951	20.7	395
13.0	5.1	1189	21282	2235	14.7	319
10.0	4.7	1095	22246	2505	9.2	224
6.5	4.3	1003	23448	2779	4.2	115
0.0	4.0	929	24628	3099	0.0	0

Note: Metric performance data is calculated from the ASTM data above.

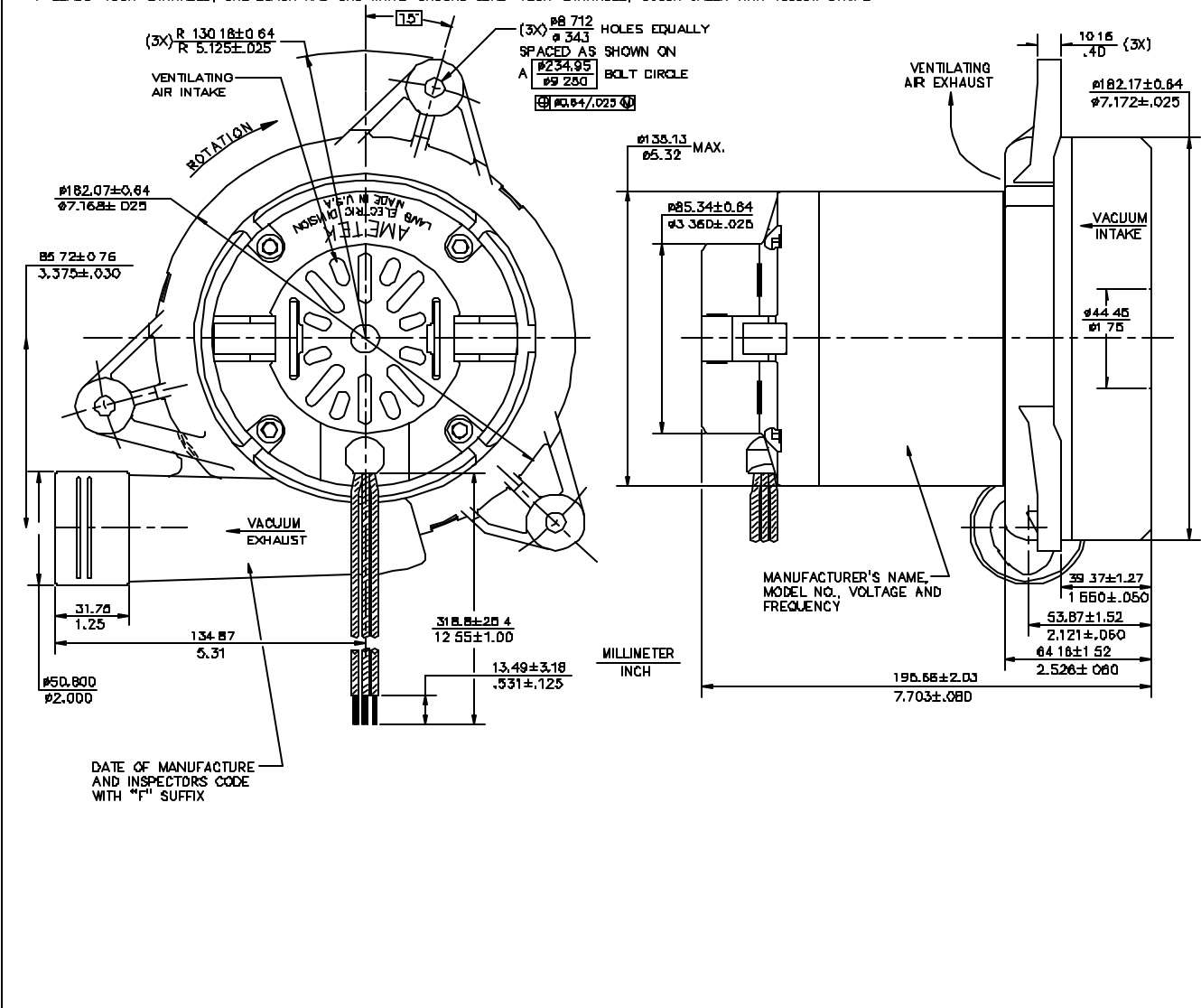
* Data represents performance of a typical motor sampled from a large production quantity. Individual motor data may vary due to normal manufacturing variation.

Test Specs:	240 volts	Minimum Sealed Vacuum:	107.0"	ORIFICE:	7/8 "	Minimum Vacuum:	42.0"	Maximum Watts:	1500
-------------	-----------	------------------------	--------	----------	-------	-----------------	-------	----------------	------

DIMENSIONS

NOTES:

1 LEADS 18GA STRANDED, ONE BLACK AND ONE WHITE GROUND LEAD 18GA STRANDED, COLOR GREEN WITH YELLOW STRIPE



IMPORTANT NOTE: Pictorial and dimensional data are subject to change without notice. Contact factory for current revision levels.

WARNING - When using AMETEK Lamb Electric bypass motors in machines that come in contact with foam, liquid (including water), or other foreign substances, the machine must be designed and constructed to prevent those substances from reaching the fan system, motor housing, and electrical components. Lamb Electric vacuum motors other than hazardous duty models should not be applied in machines that come in contact with dry chemicals or other volatile materials. Failure to observe these precautions could cause flashing (depending on volatility) or electrical shock which could result in property damage and severe bodily injury, including death in extreme cases. All applications incorporating Lamb Electric motors should be submitted to appropriate organizations or agencies for testing specifically related to the safety of your equipment.

AMETEK/Lamb Electric Division
 627 Lake Street
 Kent, Ohio 44240
 U.S.A.
 Tel: (330) 673-3451
 Fax: (330) 673-8994

Ametek GmbH
 Weillimdorfer Str. 47
 D-70825 Korntal-Munchingen
 Germany
 Phone: + 49-711-838-7876
 Fax: + 49-711-838-7862

AMETEK/Singapore Private Limited
 10 Ang Mo Kio Street 65
 # 05-12 Techpoint
 Singapore 2056
 Tel: + 65-484-2388
 Fax: + 65-481-6588