



AMETEK
LAMB ELECTRIC

Product Bulletin

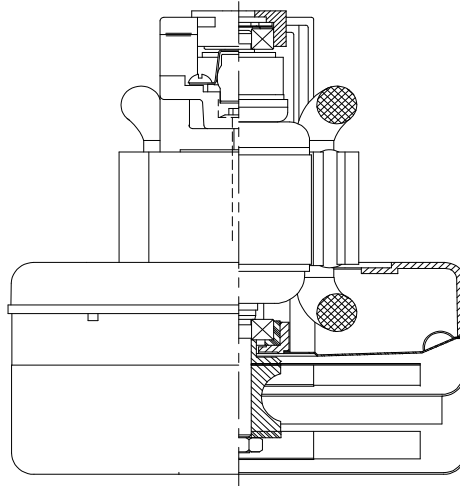
Model: 116831-00

DESCRIPTION

- Two stage
- 100 volts
- 5.7"/145 mm diameter
- Double ball bearings
- Single speed
- Thru-flow discharge
- Aluminum fan end bracket
- Aluminum commutator bracket

DESIGN APPLICATION

- Equipment operating in environments requiring separation of working air from motor ventilating air
- Designed to handle clean, dry, filtered air only

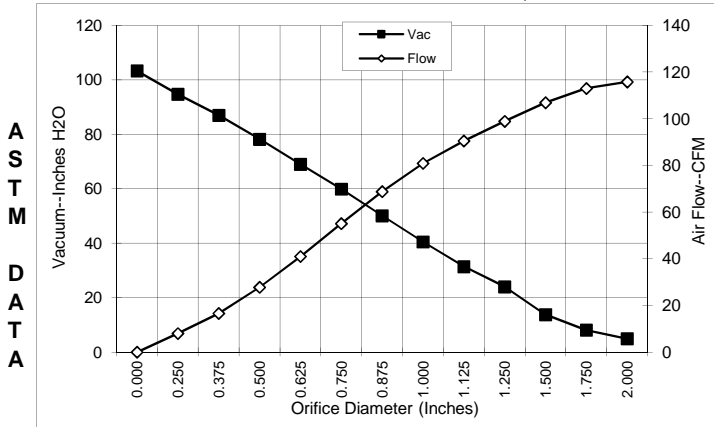


SPECIAL FEATURES

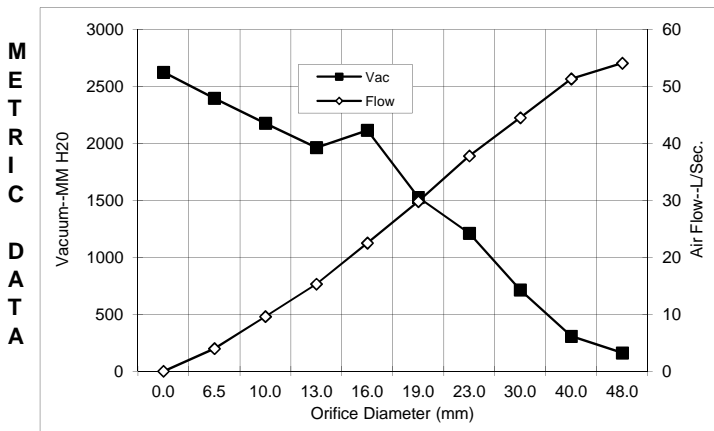
- Suitable for 100 AC volt operation, 50/60 Hz
- UL recognized, category PRGY2 (E47185)
- CSA certified, class 1611 01 (LR31393)
- Provision for grounding
- Skeleton-frame design
- The Lamb Electric vacuum motor line offers a wide range of performance levels to meet design needs

TYPICAL MOTOR PERFORMANCE.*

(At 100 volts, 60Hz, test data is corrected to standard conditions of 29.92 Hg, 68°F.)



Orifice (Inches)	Amps	Watts (In)	RPM	Vac (In.H ₂ O)	Flow (CFM)	Air Watts
2.000	12.6	1213	19386	5.0	115.8	67
1.750	12.6	1215	19403	8.1	113.0	108
1.500	12.6	1215	19400	13.8	106.9	174
1.250	12.6	1213	19420	24.0	98.9	276
1.125	12.5	1207	19476	31.4	90.5	334
1.000	12.4	1196	19600	40.5	80.9	385
0.875	12.1	1169	19866	50.1	68.8	405
0.750	11.6	1123	20340	59.9	55.1	387
0.625	10.9	1057	21060	69.0	41.0	332
0.500	10.1	982	21990	78.2	27.8	255
0.375	9.3	913	22903	87.0	16.6	170
0.250	8.8	855	23790	94.7	8.0	89
0.000	8.3	814	24516	103.3	0.0	0



Orifice (mm)	Amps	Watts (In)	RPM	Vac (mm H ₂ O)	Flow (L/Sec)	Air Watts
48.0	12.6	1214	19393	161	54.1	85
40.0	12.6	1215	19401	307	51.3	154
30.0	12.5	1210	19451	713	44.5	308
23.0	12.2	1176	19800	1212	37.8	515
19.0	11.6	1122	20354	1526	29.8	528
16.0	10.9	1060	21031	2115	22.5	470
13.0	10.1	990	21897	1963	15.3	263
10.0	9.4	923	22766	2176	9.6	183
6.5	8.8	858	23746	2396	4.0	93
0.0	8.3	814	24516	2624	0.0	0

Note: Metric performance data is calculated from the ASTM data above.

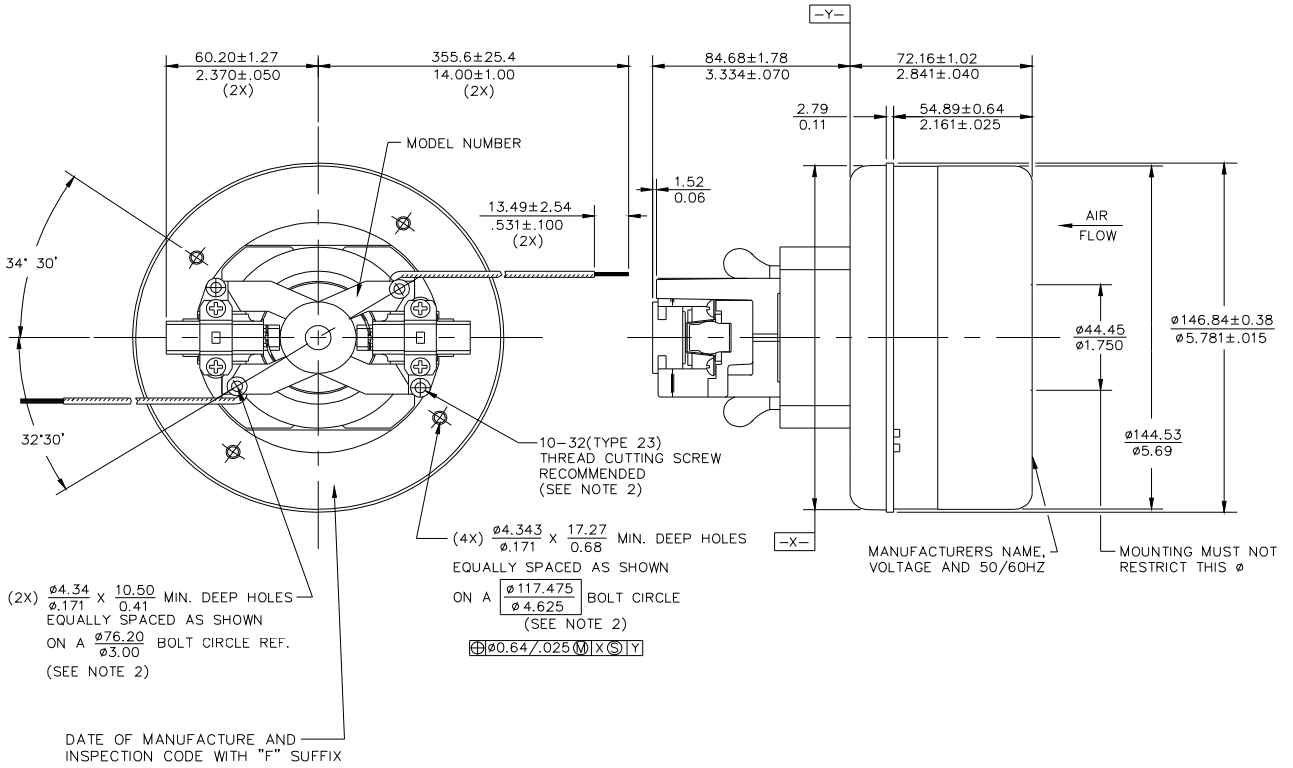
* Data represents performance of a typical motor sampled from a large production quantity. Individual motor data may vary to normal manufacturing variations.

Test Specs:	100 volt	Minimum Sealed Vacuum: 76	TBA	ORIFICE: 7/8"	Minimum Vacuum:	TBA	Maximum Watts:	TBA
--------------------	----------	---------------------------	-----	---------------	-----------------	-----	----------------	-----

DIMENSIONS

NOTES:

1. LEADS: 18GA STRANDED, LEADS CAN BE ANY COLOR EXCEPT GREEN OR GREEN WITH YELLOW STRIPE.
2. GROUNDING OR EARTHING PROVISIONS: USE HOLES AS INDICATED FOR GROUNDING OR EARTHING. REFER TO APPROPRIATE LISTING OR REGULATORY AGENCY FOR PROPER METHOD OF GROUNDING OR EARTHING.



IMPORTANT NOTE: Pictorial and dimensional data are subject to change without notice. Contact factory for current revision levels.

WARNING - When using AMETEK/Lamb Electric bypass motors in machines that come in contact with foam, liquid (including water) of other foreign substances, the machine must be designed and constructed to prevent those substances from reaching the fan system, motor housing and electrical components. Lamb vacuum motors other than hazardous duty models should not be applied in machines that come in contact with dry chemicals or other volatile materials. Failure to observe these precautions could cause flashing (depending on volatility) or electrical shock which could result in property damage and severe bodily injury, including death in extreme cases. All applications incorporating Lamb motors should be submitted to appropriate organizations or agencies for testing specifically related to the safety of your equipment.

AMETEK/Lamb Electric Division
 627 Lake Street
 Kent, Ohio 44240
 U.S.A.
 Tel: (330) 673-3451 Fax: (330) 673-8994
 www.lambelectric.com