

TECHNICAL BULLETIN

MODEL NO.
116600-00

ISSUED: 3/31/89

SUPERSEDES: New

AMETEK • Lamb Electric Division

VACUUM MOTORS AND BLOWERS

TYPE: Two-Stage, Single-Speed, Thru-Flow, 5.7" Diameter, 120 Volts, Double Ball Bearings.

DESIGN APPLICATION: Canister-type vacuum cleaners. Equipment not requiring separation of working air from motor ventilating air. Designed to handle clean, dry, filtered air only. For additional application information write for Bulletin 2-VT570-001.

SPECIAL FEATURES:

- Component recognized by Underwriters Laboratories, Inc. (UL)
- Provision for grounding
- Open frame construction
- High efficiency design
- Thermally protected for locked rotor condition; automatic reset

All 5.7" diameter thru-flow motors feature face mounting interchangeability. The Lamb vacuum motor line offers a wide range of performance levels to meet design needs.



TYPICAL MOTOR PERFORMANCE*

(At 120 volts, 60 Hz, test data is corrected to standard conditions of 29.92 inches Hg, 68°F.)

ORIFICE DIAMETER	AMPS	WATTS	RPM	VACUUM (INCHES H ₂ O)	AIR FLOW (CFM)	AIR WATTS	OVERALL EFFICIENCY %
2"	9.4	1094	18950	4.7	115.0	64	5.8
1¾"	9.4	1096	18950	7.6	112.0	100	9.2
1½"	9.5	1100	18900	13.2	109.0	170	15.4
1¼"	9.4	1096	18550	22.3	98.6	259	23.7
1⅜"	9.3	1086	19000	28.8	90.7	307	28.3
1"	9.1	1061	19200	36.3	80.4	343	32.4
⅞"	8.8	1024	19600	44.4	68.1	356	34.7
¾"	8.3	964	20200	53.0	54.7	341	35.4
⅝"	7.7	902	20950	61.6	40.9	296	32.8
½"	7.1	834	21950	70.1	27.9	230	27.6
⅜"	6.4	758	23100	78.7	16.6	154	20.3
¼"	5.8	690	24400	86.4	7.8	79	11.4
Sealed	3.4	643	25500	96.4			

*Data represents performance of a typical motor sampled from a large production quantity. Data on individual motors may vary due to normal manufacturing variations.

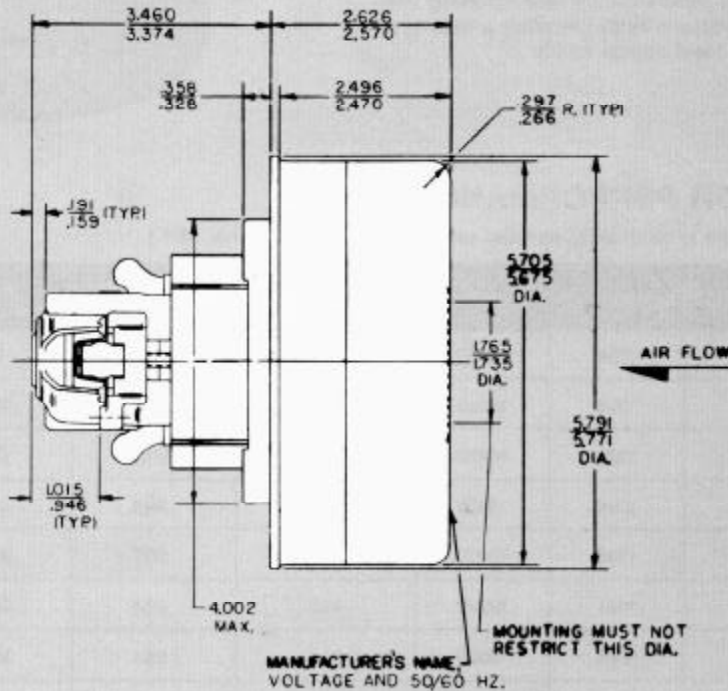
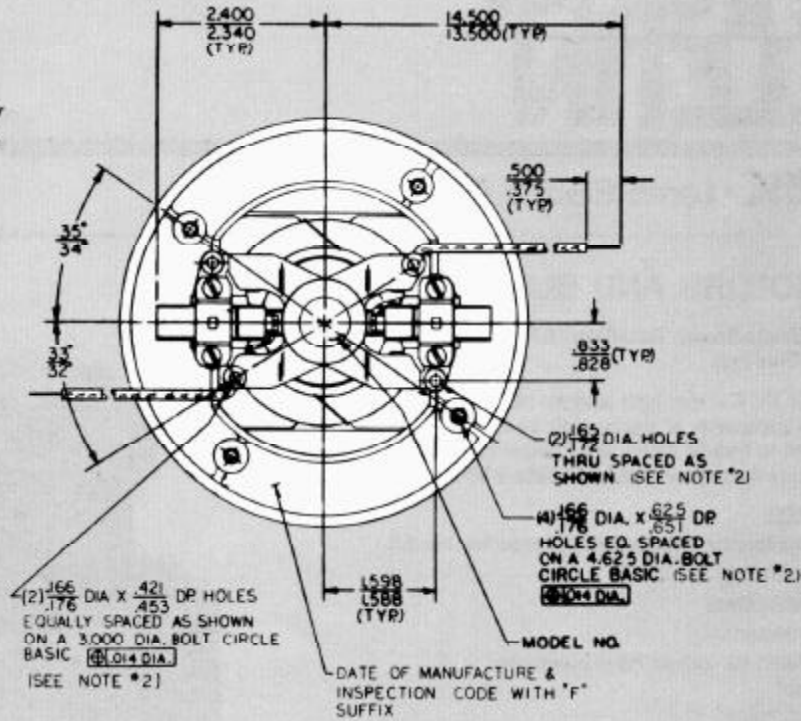
Minimum Corrected Test Specifications @ 120 Volts: Minimum Sealed Vacuum 88"; Minimum ⅞" Vacuum 41"; Maximum ⅞" Watts 1170

DIMENSIONS MODEL 116600-00

NOTES:

1. Leads: #18 ga. stranded, leads can be any color except green or green with yellow stripe.
2. Grounding or Earthing Provisions: Use holes as indicated for grounding or earthing. Refer to appropriate listing or regulatory agency for proper method of grounding or earthing.

INCHES



IMPORTANT NOTE: Pictorial and dimensional data is subject to change without notice. Contact factory for current revision levels.

WARNING—AMETEK, Inc., Lamb Electric thru-flow vacuum motors must never be used in applications in which wet or moist conditions are involved, where dry chemicals or other volatile materials are present or where airflow may be restricted or blocked. Such motors are designed to permit the vacuumed air to pass over the electrical winding to cool it. Thus any foam, liquid (including water), dry chemical or other foreign substance will come in contact with electrical conductors which could cause combustion (depending on volatility) or electrical shock. Failure to observe these precautions could result in property damage and severe personal injury, including death in extreme cases. All applications incorporating Lamb motors should be submitted to Underwriters Laboratories, Inc. or other appropriate organizations or agencies for testing specifically related to the safety of your equipment.

AMETEK

LAMB ELECTRIC DIVISION • 627 LAKE STREET, KENT, OH 44240
 TELEPHONE: (216) 673-3451 FAX: (216) 673-8994 TELEX: 433-2140 CABLE: LAMETEK