



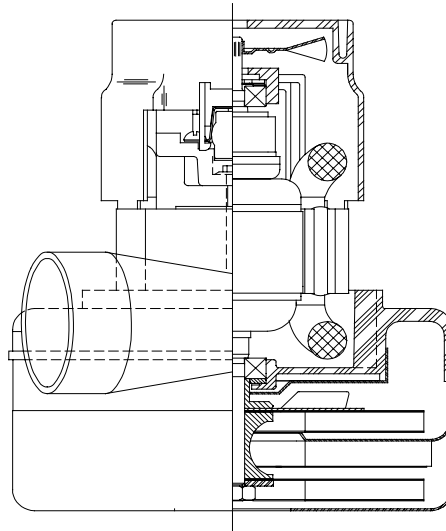
**Model: 116392-00\***  
**116392-01**

**DESCRIPTION**

- Two stage
- 120 volts
- 5.7"/145 mm diameter
- Double ball bearings
- Single speed
- Tangential bypass discharge
- Thermoset fan end bracket
- Aluminum commutator bracket

**DESIGN APPLICATION**

- Equipment operating in environments requiring separation of working air from motor ventilating air
- Designed to handle clean, dry, filtered air only



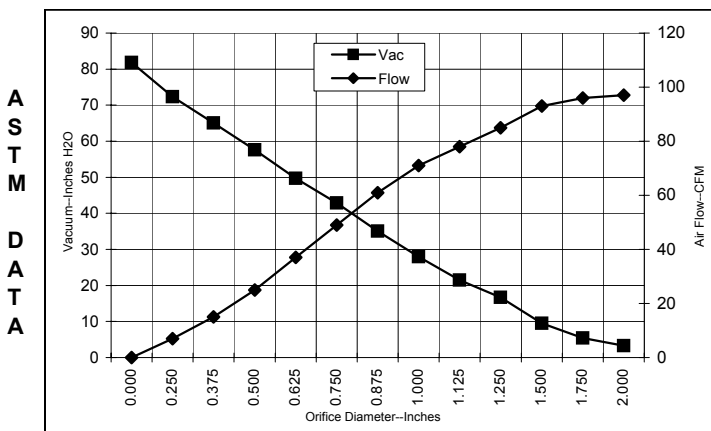
**SPECIAL FEATURES**

- Suitable for 120 volt AC operation, 50/60 Hz
- UL recognized, category PRGY2 (E47185)
- CSA certified, class 1611 01 (LR31393)
- Provision for grounding
- Skeleton-frame design
- The Lamb Electric vacuum motor line offers a wide range of performance levels to meet design needs

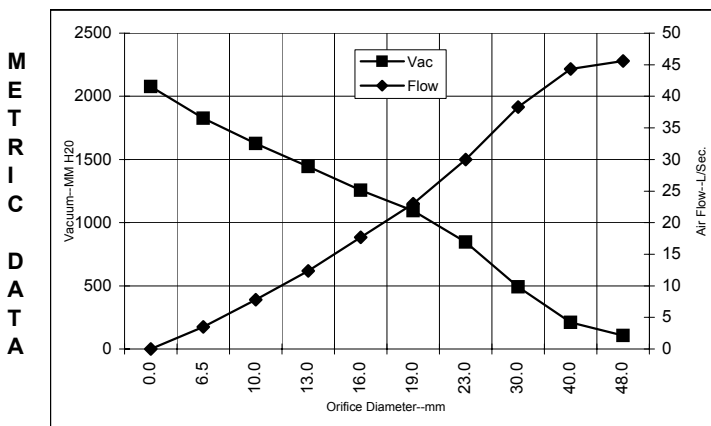
**\*Model 116392-00 features Patented air seal bearing protection, U.S. Patent #4,088,424 and epoxy painted fan case**

**TYPICAL MOTOR PERFORMANCE.\***

(At 120 volts, 60Hz, test data is corrected to standard conditions of 29.92 Hg, 68° F.)



Orifice (Inches)	Amps	Watts (In)	RPM	Vac (In.H <sub>2</sub> O)	Flow (CFM)	Air Watts
2.000	8.6	911	17370	3.3	97.0	38
1.750	7.9	908	17297	5.4	96.0	63
1.500	7.9	911	17203	9.5	93.0	103
1.250	8.0	917	17100	16.7	85.0	167
1.125	8.0	919	17105	21.5	78.0	198
1.000	7.9	916	17187	28.0	71.0	233
0.875	7.8	898	17467	35.1	61.0	250
0.750	7.5	866	17925	42.9	49.0	248
0.625	7.0	822	18525	49.7	37.0	215
0.500	6.5	767	19430	57.6	25.0	172
0.375	6.0	707	20470	65.1	15.0	116
0.250	5.5	653	21533	72.3	7.0	60
0.000	5.1	612	22210	81.8	0.0	0



Orifice (mm)	Amps	Watts (In)	RPM	Vac (mm H <sub>2</sub> O)	Flow (L/Sec)	Air Watts
48.0	8.3	910	17338	107	45.6	49
40.0	7.9	910	17231	210	44.3	91
30.0	8.0	918	17103	491	38.3	184
23.0	7.8	903	17397	846	30.0	246
19.0	7.5	865	17937	1093	23.0	247
16.0	7.0	824	18501	1255	17.7	216
13.0	6.6	773	19340	1443	12.4	176
10.0	6.1	716	20314	1625	7.8	124
6.5	5.5	656	21480	1827	3.5	63
0.0	5.1	612	22210	2078	0.0	0

Note: Metric performance data is calculated from the ASTM data above.

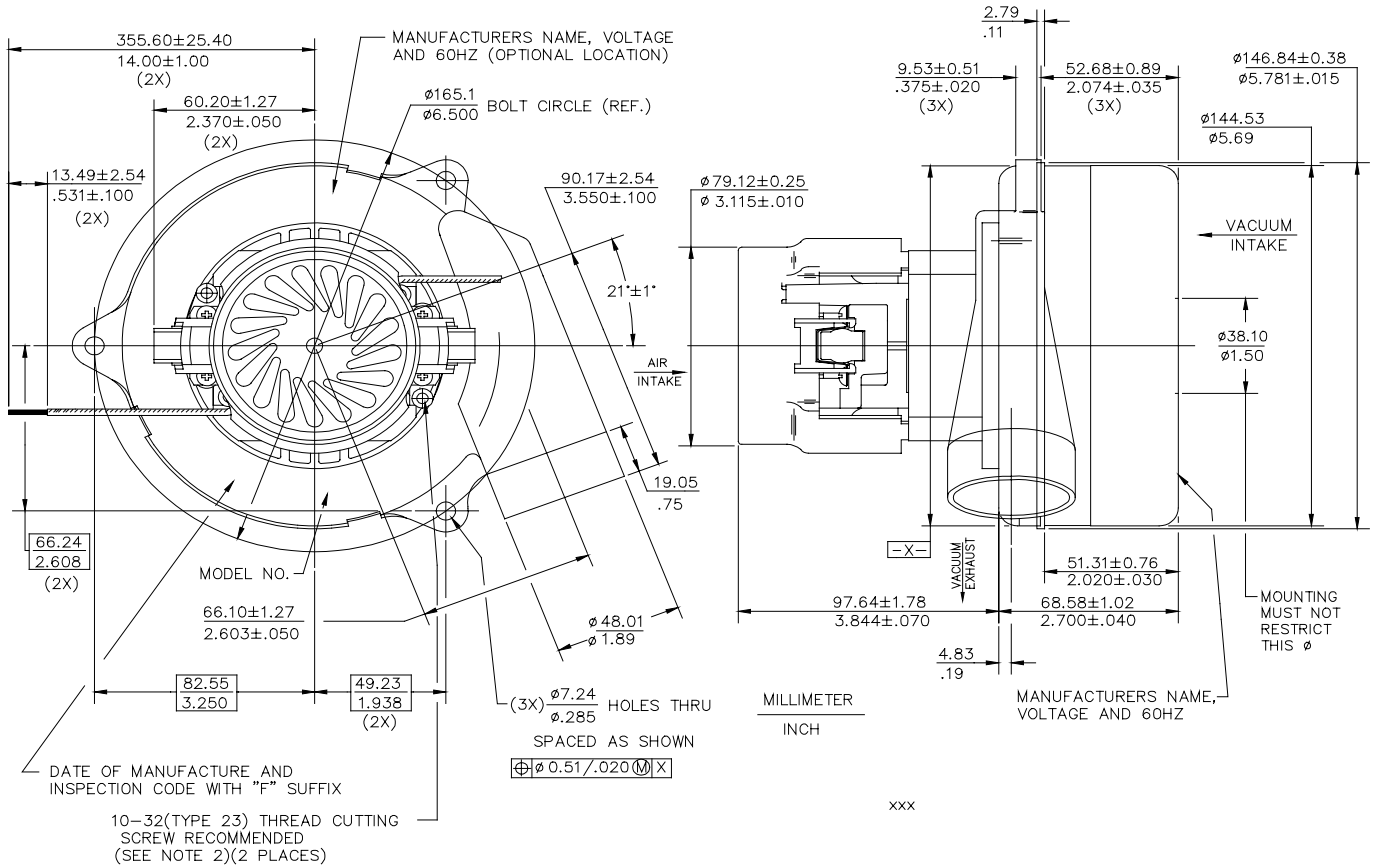
\* Data represents performance of a typical motor sampled from a large production quantity. Individual motor data may vary due to normal manufacturing variations.

<b>Test Specs:</b>	120 volts	<b>Minimum Sealed Vacuum:</b>	80.0"	<b>ORIFICE:</b>	7/8 "	<b>Minimum Vacuum:</b>	33.0"	<b>Maximum Watts:</b>	1050
--------------------	-----------	-------------------------------	-------	-----------------	-------	------------------------	-------	-----------------------	------

# DIMENSIONS

**NOTES:**

1. LEADS: 18GA STRANDED, LEADS CAN BE ANY COLOR EXCEPT GREEN OR GREEN WITH YELLOW STRIPE.
2. GROUNDING OR EARTHING PROVISIONS: USE HOLES AS INDICATED FOR GROUNDING OR EARTHING. REFER TO APPROPRIATE LISTING OR REGULATORY AGENCY FOR PROPER METHOD OF GROUNDING OR EARTHING.



**IMPORTANT NOTE:** Pictorial and dimensional data are subject to change without notice. Contact factory for current revision levels.

**WARNING** - When using AMETEK Lamb Electric bypass motors in machines that come in contact with foam, liquid (including water), or other foreign substances, the machine must be designed and constructed to prevent those substances from reaching the fan system, motor housing, and electrical components. Lamb Electric vacuum motors other than hazardous duty models should not be applied in machines that come in contact with dry chemicals or other volatile materials. Failure to observe these precautions could cause flashing (depending on volatility) or electrical shock which could result in property damage and severe bodily injury, including death in extreme cases. All applications incorporating Lamb Electric motors should be submitted to appropriate organizations or agencies for testing specifically related to the safety of your equipment.

**AMETEK/Lamb Electric Division**  
 627 Lake Street  
 Kent, Ohio 44240  
 U.S.A.  
 Tel: (330) 673-3451  
 Fax: (330) 673-8994

**Ametek GmbH**  
 P. O. Box 1251  
 D-71667 Marbach  
 Germany  
 Phone: + 49-714-484-9512  
 Fax: + 49-714-484-9513

**AMETEK/Singapore Private Limited**  
 10 Ang Mo Kio Street 65  
 # 05-12 Techpoint  
 Singapore 2056  
 Tel: + 65-484-2388  
 Fax: + 65-481-6588