

LAMB ELECTRIC

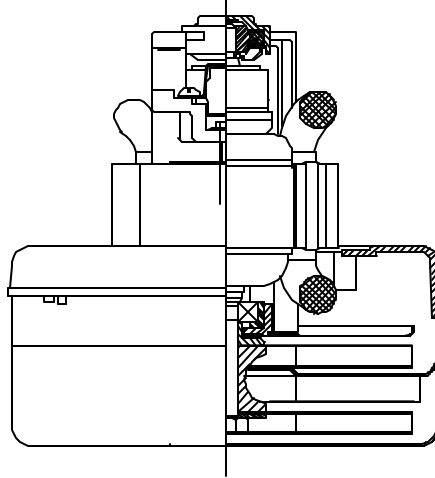
Model: 116312-00

DESCRIPTION

- Two stage
- 240 volts
- 5.7"/145 mm diameter
- Ball/sleeve bearings
- Single speed
- Thru-flow discharge
- Aluminum fan end bracket
- Aluminum commutator bracket

DESIGN APPLICATION

- Equipment operating in environments not requiring separation of working air from motor ventilating air
- Designed to handle clean, dry, filtered air only

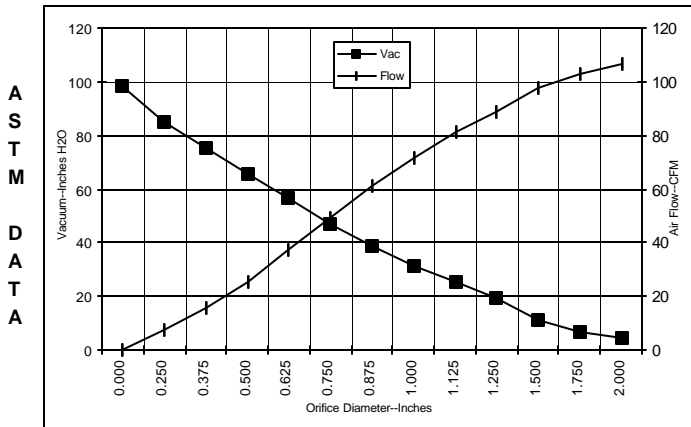


SPECIAL FEATURES

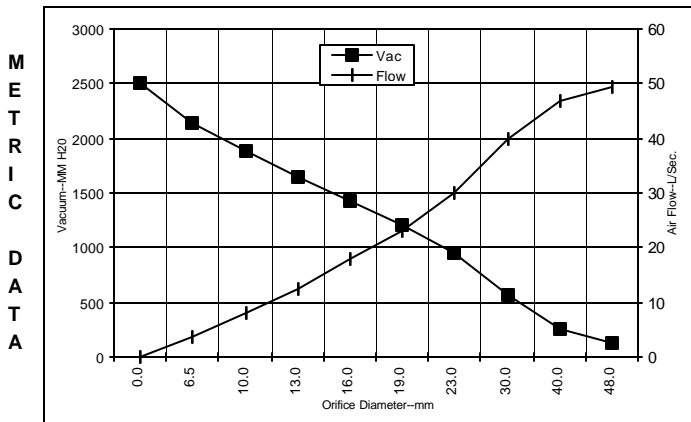
- Suitable for 240 volt AC operation, 50 /60 Hz
- UL recognized, category PRGY2 (E47185)
- Provision for grounding
- Skeleton-frame design
- The Lamb Electric vacuum motor line offers a wide range of performance levels to meet design needs

TYPICAL MOTOR PERFORMANCE.*

(At 240 volts, 60Hz, test data is corrected to standard conditions of 29.92 Hg, 68° F.)



Orifice (Inches)	Amps	Watts (In)	RPM	Vac (In.H2O)	Flow (CFM)	Air Watts
2.000	4.2	977	19117	4.2	106.5	52
1.750	4.3	1000	18979	6.6	102.5	80
1.500	4.3	1016	18841	11.3	97.7	129
1.250	4.4	29	18566	19.4	88.4	202
1.125	4.4	1037	18566	25.0	81.2	239
1.000	4.4	1031	18566	31.5	71.8	266
0.875	4.3	1009	18831	39.1	61.1	281
0.750	4.0	970	19255	47.3	49.2	274
0.625	3.8	913	20007	56.7	37.3	248
0.500	3.5	841	21014	65.7	25.5	197
0.375	4.2	769	22254	75.5	15.5	138
0.250	2.8	705	23557	84.9	7.6	76
0.000	2.6	643	24659	98.6	0.0	0



Orifice (mm)	Amps	Watts (In)	RPM	Vac (mm H2O)	Flow (L/Sec)	Air Watts
48.0	4.2	987	19056	133	49.4	64
40.0	4.3	1011	18882	251	46.8	114
30.0	4.4	583	18566	571	39.9	222
23.0	4.3	1015	18765	945	30.1	277
19.0	4.0	969	19270	1206	23.1	273
16.0	3.8	915	19977	1431	17.8	249
13.0	3.5	848	20913	1646	12.6	202
10.0	4.1	780	22068	1880	8.0	147
6.5	2.9	708	23492	2145	3.8	79
0.0	2.6	643	24659	2504	0.0	0

Note: Metric performance data is calculated from the ASTM data above.

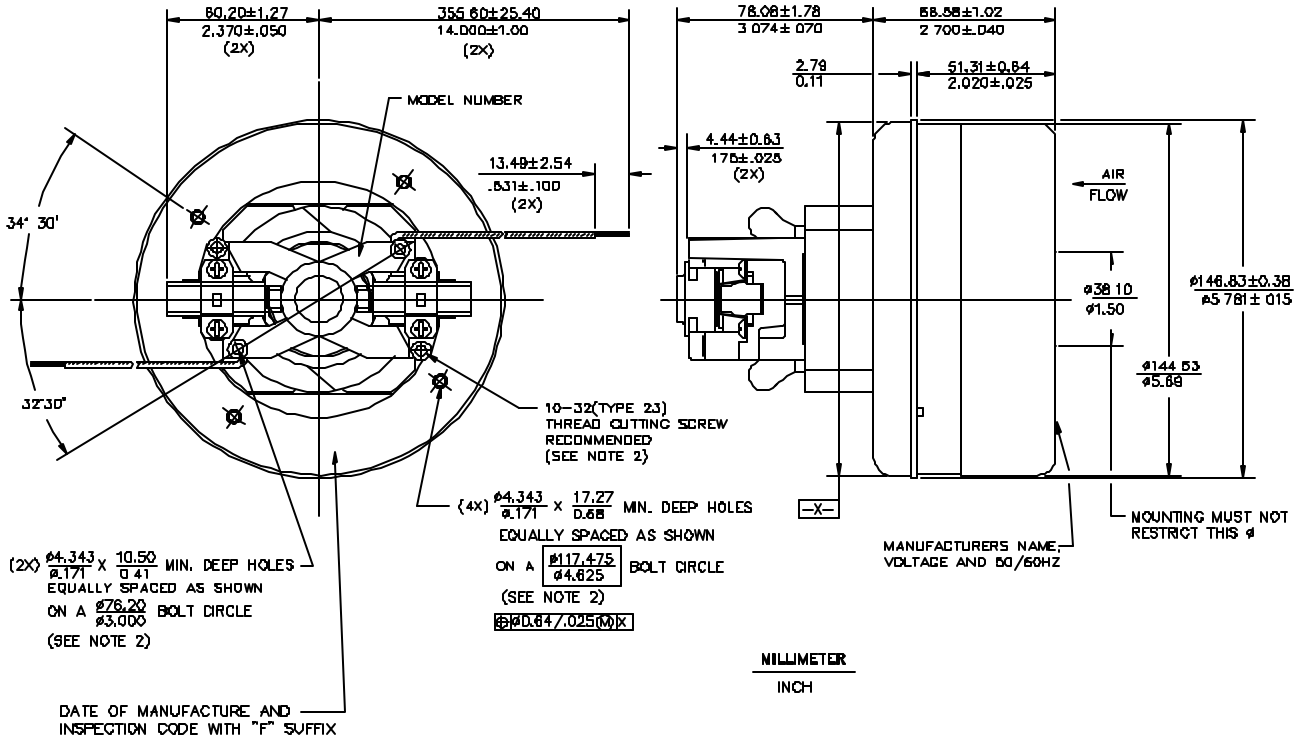
* Data represents performance of a typical motor sampled from a large production quantity. Individual motor data may vary due to normal manufacturing variati

Test Specs:	240 volts	Minimum Sealed Vacuum:	89.0"	ORIFICE:	7/8 "	Minimum Vacuum:	35.0"	Maximum Watts:	1070
-------------	-----------	------------------------	-------	----------	-------	-----------------	-------	----------------	------

DIMENSIONS

NOTES

- 1 LEADS 18 GA STRANDED. LEADS CAN BE ANY COLOR EXCEPT GREEN OR GREEN WITH YELLOW STRIPE.
- 2 GROUNDING OR EARTHING PROVISIONS: USE HOLES AS INDICATED FOR GROUNDING OR EARTHING. REFER TO APPROPRIATE LISTING OR REGULATORY AGENCY FOR PROPER METHOD OF GROUNDING OR EARTHING.



IMPORTANT NOTE: Pictorial and dimensional data are subject to change without notice. Contact factory for current revision levels.

WARNING - AMETEK Lamb Electric thru-flow vacuum motors must never be used in applications in which wet or moist conditions are involved, where dry chemicals or other volatile materials are present, or where airflow may be restricted or blocked. Such motors are designed to permit the vacuumed air to pass over the electrical winding to cool it. Thus any foam, liquid (including water), dry chemical, or other foreign substance coming in contact with electrical conductors could cause combustion (depending on volatility) or electrical shock. Failure to observe these precautions could result in property damage and severe personal injury, including death in extreme cases. All applications incorporating Lamb Electric motors should be submitted to Underwriters Laboratories Inc or other appropriate organizations or agencies for testing specifically related to the safety of your equipment.

AMETEK/Lamb Electric Division
627 Lake Street
Kent, Ohio 44240
U.S.A.
Tel: (330) 673-3451
Fax: (330) 673-8994

Ametek GmbH
Weilimdorfer Str. 47
D-70825 Korntal-Munchingen
Germany
Phone: + 49-711-838-7876
Fax: + 49-711-838-7862

AMETEK/Singapore Private Limited
10 Ang Mo Kio Street 65
05-12 Techpoint
Singapore 2056
Tel: + 65-484-2388
Fax: + 65-481-6588