



AMETEK
LAMB ELECTRIC

Product Bulletin

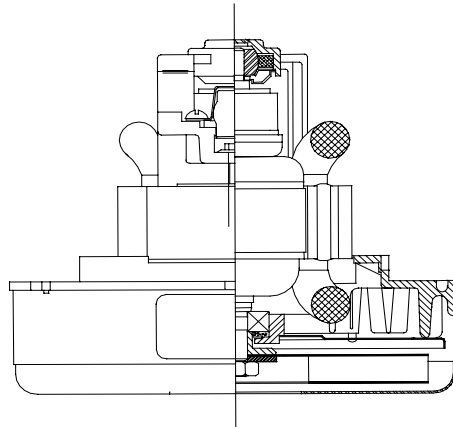
Model: 116297-00

DESCRIPTION

- Single stage
- 120 volts
- 5.7" / 145 mm diameter
- Ball/Sleeve bearings
- Single speed
- Thru-Flow discharge
- Aluminum fan end bracket
- Thermoset commutator bracket

DESIGN APPLICATION

- Equipment operating in environments not requiring separation of working air from motor ventilating air
- Designed to handle clean, dry, filtered air only

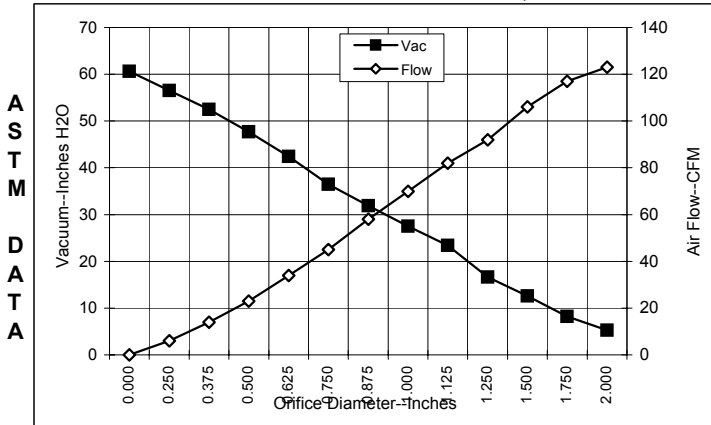


SPECIAL FEATURES

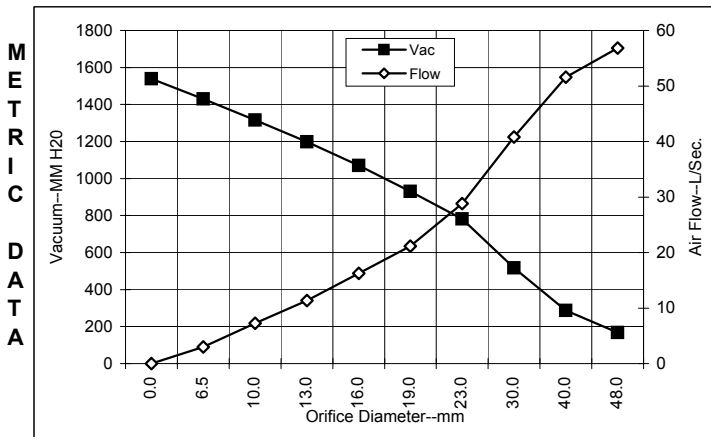
- Suitable for 120 volt AC operation, 50/60 Hz
- UL recognized, category PRGY2 (E47185)
- CSA certified, class 1611 01 (LR31393)
- Provision for grounding
- Skeleton frame design
- High air flow fan system
- The Lamb vacuum motor line offers a wide range of performance levels to meet design needs

TYPICAL MOTOR PERFORMANCE.*

(At 120 volts, 60Hz, test data is corrected to standard conditions of 29.92 Hg, 68° F.)



Orifice (Inches)	Amps	Watts (In)	RPM	Vac (In.H2O)	Flow (CFM)	Air Watts
2.000	6.9	803	19970	5.3	123.0	77
1.750	6.9	805	19920	8.2	117.0	114
1.500	6.8	797	19920	12.6	106.0	157
1.250	6.7	777	20220	16.6	92.0	213
1.125	6.5	752	20510	23.4	82.0	226
1.000	6.2	721	20820	27.5	70.0	227
0.875	6.0	692	21310	31.9	58.0	216
0.750	5.8	671	22190	36.5	45.0	194
0.625	5.4	630	23550	42.4	34.0	169
0.500	5.0	591	24410	47.7	23.0	129
0.375	4.7	552	25770	52.5	14.0	84
0.250	4.4	517	26620	56.5	6.0	42
0.000	4.1	489	27390	60.6	0.0	0



Orifice (mm)	Amps	Watts (In)	RPM	Vac (mm H2O)	Flow (L/Sec)	Air Watts
48.0	6.9	804	19948	167	56.8	93
40.0	6.8	799	19920	287	51.6	144
30.0	6.6	763	20380	517	40.8	220
23.0	6.1	699	21188	782	28.8	219
19.0	5.8	670	22217	930	21.1	194
16.0	5.4	632	23496	1071	16.3	170
13.0	5.0	595	24324	1198	11.4	133
10.0	4.7	558	25566	1315	7.2	91
6.5	4.4	519	26578	1430	3.0	44
0.0	4.1	489	27390	1539	0.0	0

Note: Metric performance data is calculated from the ASTM data above.

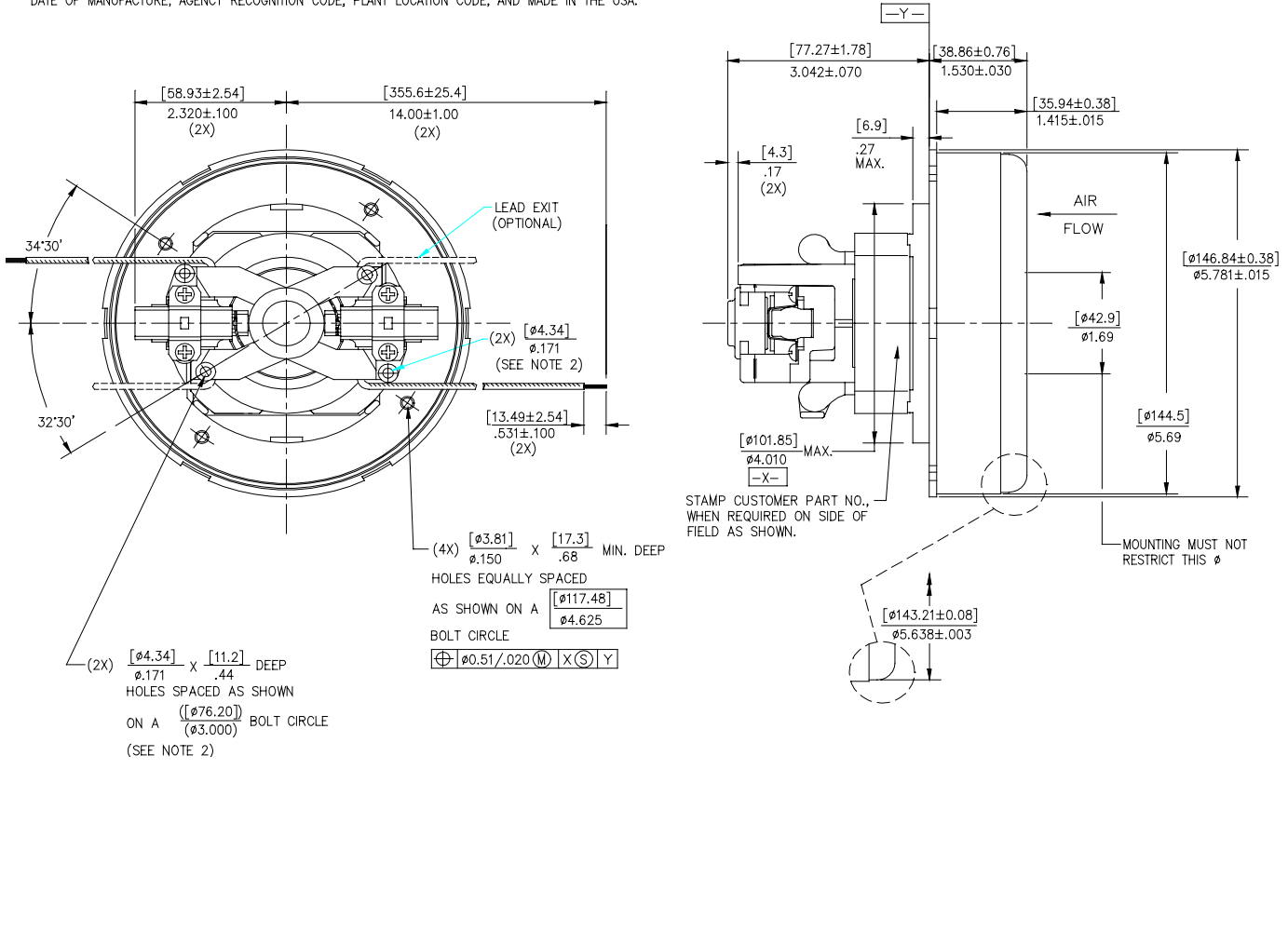
* Data represents performance of a typical motor sampled from a large production quantity. Individual motor data may vary to normal manufacturing variations.

Test Specs: 120 volts	Minimum Sealed Vacuum: 53.5"	ORIFICE: 7/8"	Minimum Vacuum: 30.0"	Maximum Watts: 860
-----------------------	------------------------------	---------------	-----------------------	--------------------

DIMENSIONS

NOTES:

1. LEADS: 18 GA. STRANDED, CAN BE ANY COLOR EXCEPT GREEN OR GREEN WITH YELLOW STRIPE.
2. GROUNDING OR EARTHING PROVISIONS: USE HOLES AS INDICATED FOR GROUNDING OR EARTHING. REFER TO APPROPRIATE LISTING OR REGULATORY AGENCY FOR PROPER METHOD OF GROUNDING OR EARTHING.
3. MOTOR IDENTIFICATION: MANUFACTURER'S NAME, MODEL NUMBER, VOLTAGE, FREQUENCY, INSPECTOR'S CODE, DATE OF MANUFACTURE, AGENCY RECOGNITION CODE, PLANT LOCATION CODE, AND MADE IN THE USA.



IMPORTANT NOTE: Pictorial and dimensional data are subject to change without notice. Contact factory for current revision levels.

WARNING - Ametek/Lamb Electric thru-flow vacuum motors must never be used in applications in which wet or moist conditions are involved, where dry chemicals or other volatile materials are present or where airflow may be restricted or blocked. Such motors are designed to permit the vacuumed air to pass over the electrical winding to cool it. Thus any foam, liquid (including water), dry chemical or other foreign substance will come in contact with electrical conductors which could cause combustion (depending on volatility) or electrical shock. Failure to observe these precautions could result in property damage and severe personal injury, including death in extreme cases. All applications incorporating Lamb motors should be submitted to Underwriters Laboratories Inc. or other appropriate organizations or agencies for testing specifically related to the safety of your equipment.

AMETEK/Lamb Electric Division
 627 Lake Street
 Kent, Ohio 44240
 U.S.A.
 Tel: (330) 673-3451
 Fax: (330) 673-8994

Ametek GmbH
 P. O. Box 1251
 D-71667 Marbach
 Germany
 Phone: + 49-714-484-9512
 Fax: + 49-714-484-9513

AMETEK/Singapore Private Limited
 10 Ang Mo Kio Street 65
 # 05-12 Techpoint
 Singapore 2056
 Tel: + 65-484-2388
 Fax: + 65-481-6588