

LAMB ELECTRIC

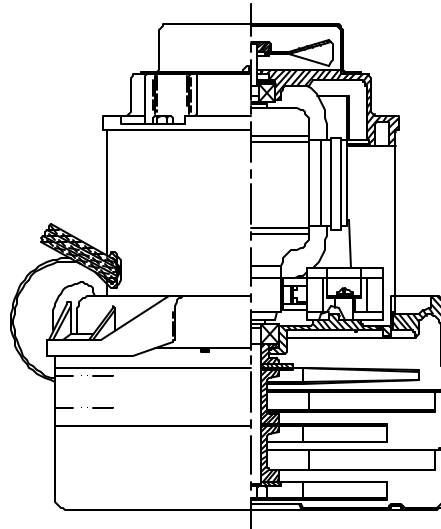
Model: 116119-00

DESCRIPTION

- Three stage
- 120 volts
- 7.2"/183 mm diameter
- Double ball bearings
- Single speed
- Tangential bypass discharge
- Aluminum fan end bracket
- Aluminum commutator bracket

DESIGN APPLICATION

- Equipment operating in environments requiring separation of working air from motor ventilating air
- Designed to handle clean, dry, filtered air only



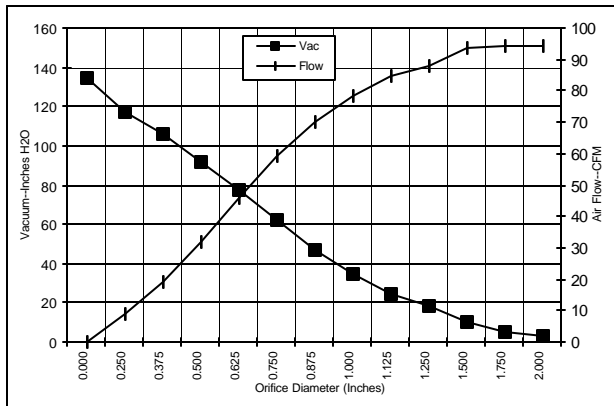
SPECIAL FEATURES

- Suitable for 120 volt AC operation, 50/ 60 Hz
- UL recognized, category PRGY2 (E47185)
- CSA certified, class 1611 01 (LR31393)
- Provision for grounding
- Aluminum fan end bracket designed to dampen vibration and improve durability
- The Lamb Electric vacuum motor line offers a wide range of performance levels to meet design needs

TYPICAL MOTOR PERFORMANCE.*

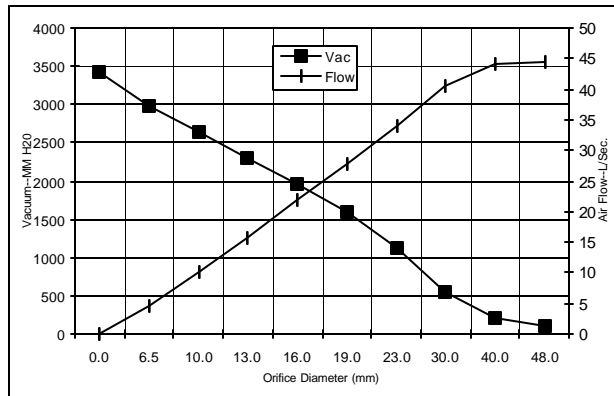
(At 120 volts, 60Hz, test data is corrected to standard conditions of 29.92 Hg, 68° F.)

ASTM DATA



Orifice (Inches)	Amps	Watts (In)	RPM	Vac (In.H ₂ O)	Flow (CFM)	Air Watts
2.000	12.6	1440	17700	3.1	94.3	35
1.750	12.6	1451	17725	5.3	94.1	59
1.500	12.6	1440	17625	9.7	93.4	106
1.250	12.6	1449	17650	17.9	88.2	185
1.125	12.6	1451	17650	24.9	84.4	247
1.000	12.6	1449	17675	34.4	78.3	317
0.875	12.5	1435	17750	46.9	70.0	387
0.750	12.3	1409	17900	62.6	59.4	438
0.625	11.8	1358	18375	77.8	46.0	421
0.500	11.0	1276	19025	91.7	32.0	345
0.375	10.1	1173	20000	105.6	19.3	240
0.250	9.1	1065	21100	117.5	9.0	125
0.000	8.3	980	22150	135.0	0.0	0

METRIC DATA



Orifice (mm)	Amps	Watts (In)	RPM	Vac (mm H ₂ O)	Flow (L/Sec)	Air Watts
48.0	12.6	1445	17711	103	44.5	46
40.0	12.6	1443	17655	213	44.2	92
30.0	12.6	1450	17650	552	40.6	219
23.0	12.5	1439	17731	1112	34.0	370
19.0	12.3	1408	17910	1598	27.9	438
16.0	11.8	1360	18356	1961	22.0	422
13.0	11.1	1284	18960	2294	15.8	353
10.0	10.2	1188	19854	2629	10.0	256
6.5	9.2	1070	21045	2969	4.5	131
0.0	8.3	980	22150	3429	0.0	0

Note: Metric performance data is calculated from the ASTM data above.

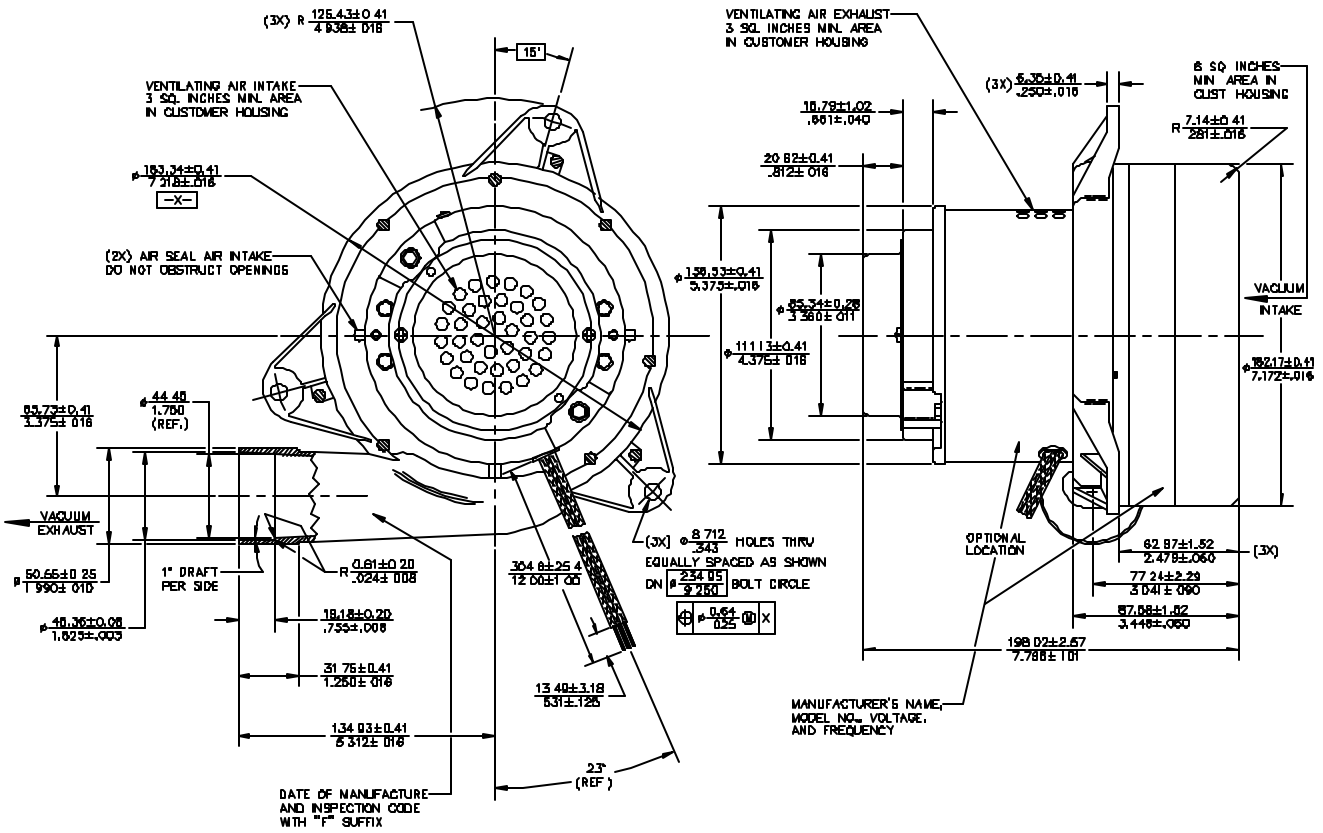
* Data represents performance of a typical motor sampled from a large production quantity. Individual motor data may vary due to normal manufacturing variat

Test Specs:	120 volts	Minimum Sealed Vacuum:	130.0"	ORIFICE:	7/8"	Minimum Vacuum:	42.0"	Maximum Watts:	1590
-------------	-----------	------------------------	--------	----------	------	-----------------	-------	----------------	------

DIMENSIONS

NOTES:

1 LEADS POWER #18 GA, ONE BLACK, ONE WHITE.
GROUND #18 GA, GREEN WITH YELLOW STRIPE



IMPORTANT NOTE: Pictorial and dimensional data are subject to change without notice. Contact factory for current revision levels.

WARNING - When using AMETEK Lamb Electric bypass motors in machines that come in contact with foam, liquid (including water), or other foreign substances, the machine must be designed and constructed to prevent those substances from reaching the fan system, motor housing, and electrical components. Lamb Electric vacuum motors other than hazardous duty models should not be applied in machines that come in contact with dry chemicals or other volatile materials. Failure to observe these precautions could cause flashing (depending on volatility) or electrical shock which could result in property damage and severe bodily injury, including death in extreme cases. All applications incorporating Lamb Electric motors should be submitted to appropriate organizations or agencies for testing specifically related to the safety of your equipment.

AMETEK/Lamb Electric Division
627 Lake Street
Kent, Ohio 44240
U.S.A.
Tel: (330) 673-3451
Fax: (330) 673-8994

Ametek GmbH
Weilimdorfer Str. 47
D-70825 Korntal-Munchingen
Germany
Phone: + 49-711-838-7876
Fax: + 49-711-838-7862

AMETEK/Singapore Private Limited
10 Ang Mo Kio Street 65
05-12 Techpoint
Singapore 2056
Tel: + 65-484-2388
Fax: + 65-481-6588