

AMETEK

**LAMB®
VACUUM
MOTORS,
BLOWERS
MODEL 115737**

**technical
bulletin**

2-VT572-5737
Issued: 11/15/76
Supersedes: 10/1/73

DESCRIPTION

TYPE: Two Stage, Single Speed, Thru-Flow, 120 Volt.

DESIGN APPLICATION: Canister-type vacuum cleaners. Equipment not requiring separation of working air from motor ventilating air. Designed to handle clean, dry, filtered air only. For additional application information write for Bulletin 2-VT570-000.

SPECIAL FEATURES:

- Component recognized by Underwriters Laboratories Inc. and Canadian Standards Association (CSA).
- Open frame construction.
- Provision for grounding.
- One ball/one sleeve bearing.

All 5.7" diameter thru-flow motors feature face mounting interchangeability. The Lamb vacuum motor line offers a wide range of performance levels to meet design needs.



TYPICAL CHARACTERISTICS*

(Not to be used for setting specifications)

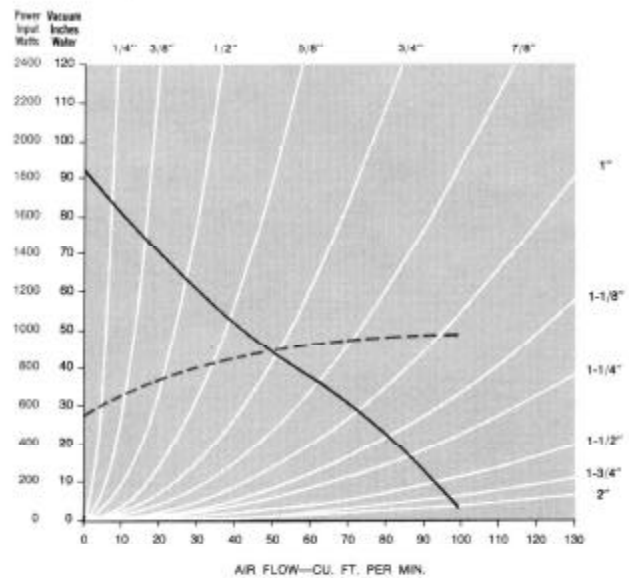
@ 120 VOLTS—60 HERTZ Standard Conditions: 29.92 Inches Hg, 68°F		MODEL NUMBER 115737
Sealed	Vacuum (Inches H ₂ O) Volume (CFM) Power (Watts) Current (Amps) Speed (RPM)	92.0 0 550 4.7 23,500
7/8" Orifice	Vacuum (Inches H ₂ O) Volume (CFM) Power (Watts) Current (Amps) Speed (RPM)	36.0 61.0 900 7.7 18,500
1 1/4" Orifice	Vacuum (Inches H ₂ O) Volume (CFM) Power (Watts) Current (Amps) Speed (RPM)	17.0 86.0 930 8.0 18,200
2" Orifice	Vacuum (Inches H ₂ O) Volume (CFM) Power (Watts) Current (Amps) Speed (RPM)	3.4 99.0 910 7.8 18,500

MOTOR PERFORMANCE*

Average test data corrected to standard barometer of 29.92 in. Hg. and 68°F.

LEGEND

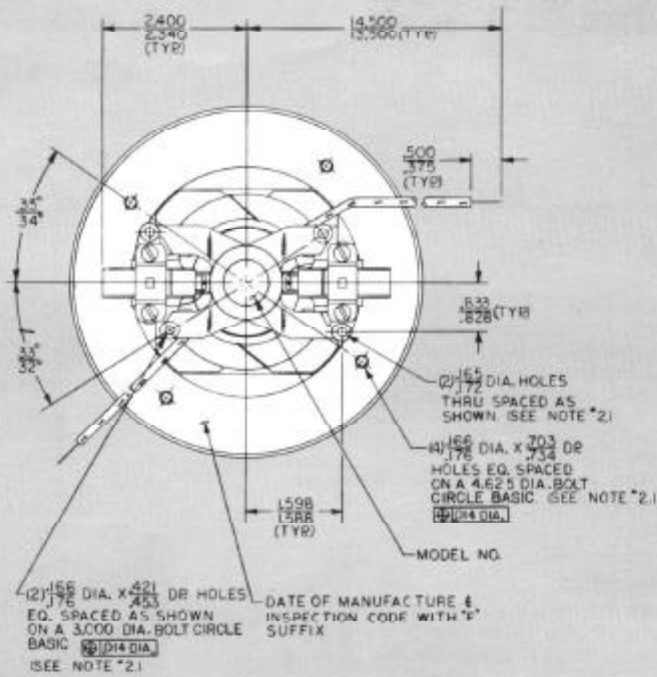
Watts -----
Vacuum ————



Note: Curves marked with fractional inch designations indicate air flow and vacuum through sharp-edged thin plate test orifices of diameter indicated.

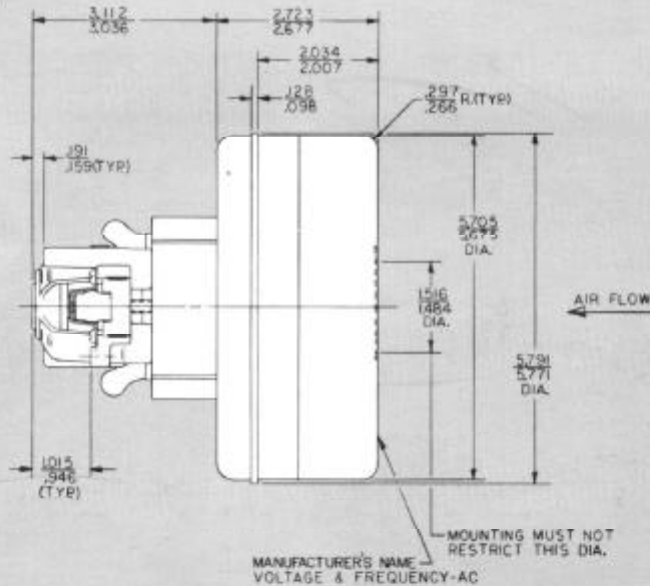
* The performance data specified represents a typical or average motor. If data is required to establish acceptance specifications, contact the factory.

DIMENSIONS—MODEL 115737



NOTES:

1. Leads, #18 Ga. stranded. Leads can be any color except green or green with yellow stripe.
2. Grounding or Earthing Provision: Use holes as indicated for grounding or earthing. Refer to appropriate listing or regulatory agency for proper method of grounding or earthing.



WARNING—AMETEK, Inc., Lamb Electric thru-flow vacuum motors must never be used in applications in which wet or moist conditions are involved, where dry chemicals or other volatile materials are present or where airflow may be restricted or blocked. Such motors are designed to permit the vacuumed air to pass over the electrical winding to cool it. Thus any foam, liquid (including water), dry chemical or other foreign substance will come in contact with electrical conductors which could cause flashing (depending on volatility) or electrical shock. Failure to observe these precautions could result in property damage and severe personal injury, including death in extreme cases. All applications incorporating Lamb motors should be submitted to Underwriters Laboratories, Inc. or other appropriate organizations or agencies for testing specifically related to the safety of your equipment.

AMETEK

LAMB ELECTRIC DIVISION • 627 LAKE STREET, KENT, OHIO 44240
TELEPHONE: (216) 673-3451 TELEX: 986497 CABLE: LAMETEK