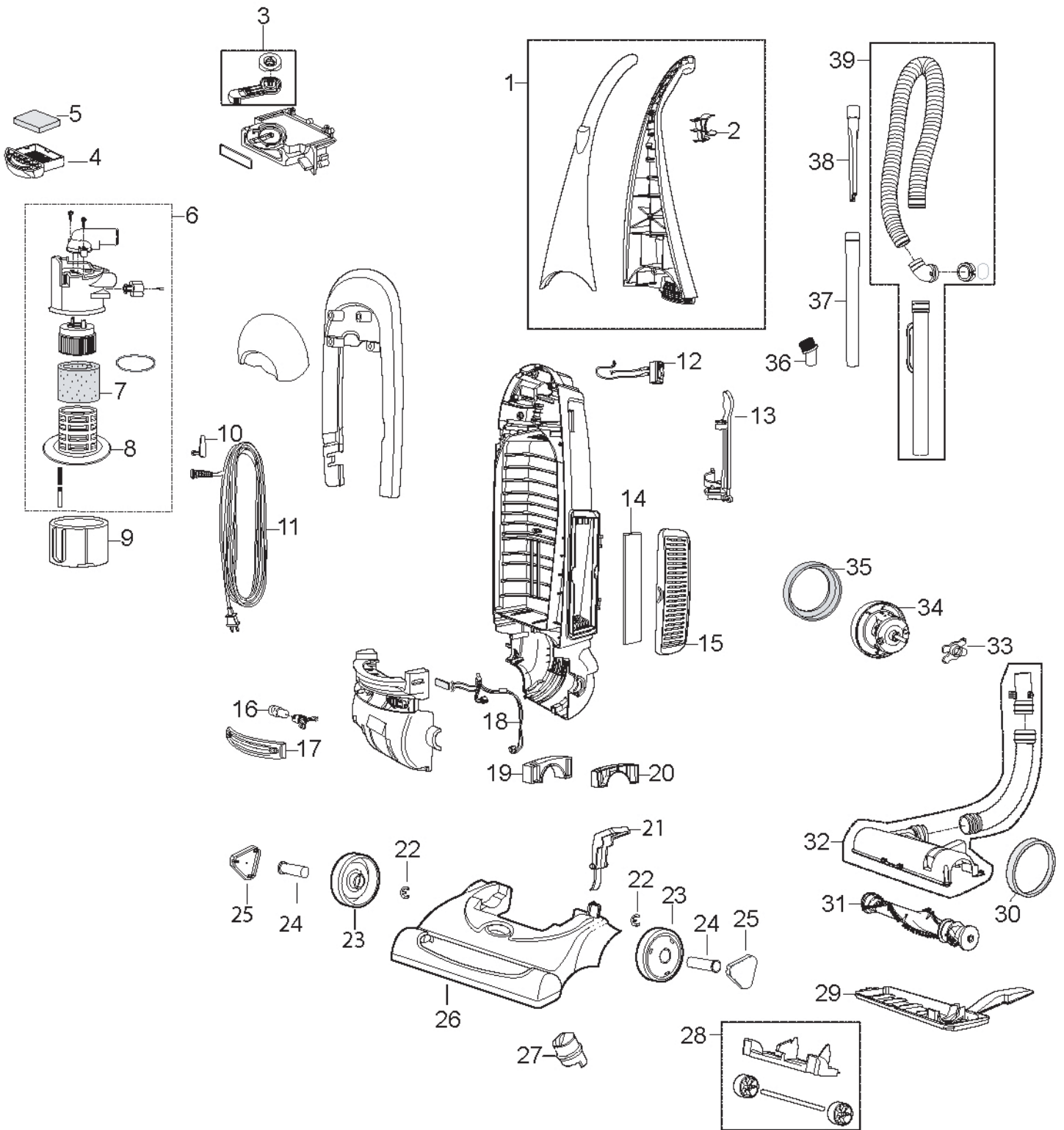




# CLENVIEW BAGLESS

## Model 6590



Bissell Homecare Inc. (U.S.)  
 Phone: 1-800-457-1509  
 Fax: 1-800-517-9535  
 partner.bissell.com

Bissell Canada  
 Phone: 1-800-465-1283 ext. #28  
 Fax: 905-356-0625  
 Email: Canada.custhelp@bissell.com

Issued: July 2004

Revised: March 2005

© 2005 BISSELL Homecare, Inc.

# BAGLESS VACUUM

CleanView™ Power Trak® Model 6590



KEY	PART NO	DESCRIPTION
1	2031078	Upper Handle Assy. - Black
2	2031028	Hanger - Hose
3	2031119	Lock n' Seal Lever - Gray
4	2032058	Pre Motor Filter Tray - Medium Gray
5	2031073	Pre Motor Filter
6	2032034	Upper Tank Assy. - Clear/Yellow
7	2031085	Separation Flange Filter
8	2032042	Separation Flange Frame - Yellow
9	2031117	Dirt Cup - Clear
10	2031018	Cord Release
11	2031067	Power Cord 35'
12	2031035	Switch - Rocker
13	2031076	Tool Caddy
14	2231047	Post Motor Filter - HEPA Media
15	2031011	Post Motor Filter Grill
16	2031007	Lamp - Incandescent
17	2031008	Headlight Lens
18	2031034	Wire Harness - Thermo
19	2031040	Right Neck Brush
20	2031039	Left Neck Brush
21	2030052	Lever Release
22	2032548	E-Ring
23	2032037	Rear Wheel
25	2032065	Wheel Cap - Black
26	2032067	Foot Cover - Black
27	2031095	Height Adjustment Knob
28	2031094	Roller Assy. W/ Axle
29	2032036	Access Plate
30	2031093	Belt
31	2032013	Brush
32	2032039	Case Drum Assy.
33	2032064	Motor Support
34	2031100	Motor
35	2031107	Motor Cushion - Large
36	2031083	Dust Brush Tool
37	2031084	Extension Wand
38	2031063	Crevice Tool
39	2032012	Hose Assy. - Clear
xx	2032532	User's Guide

*BISSELL Homecare, Inc. (U.S.)*  
Phone: 1-800-457-1509  
Fax: 1-800-517-9535  
partner.bissell.com

*Bissell Canada*  
Phone: 1-800-465-1283 ext. #28  
Fax: 905-356-0625  
Email: Canada.custhelp@bissell.com

Issued: 07/04  
Revised: 03/05  
© 2005 BISSELL Homecare, Inc.