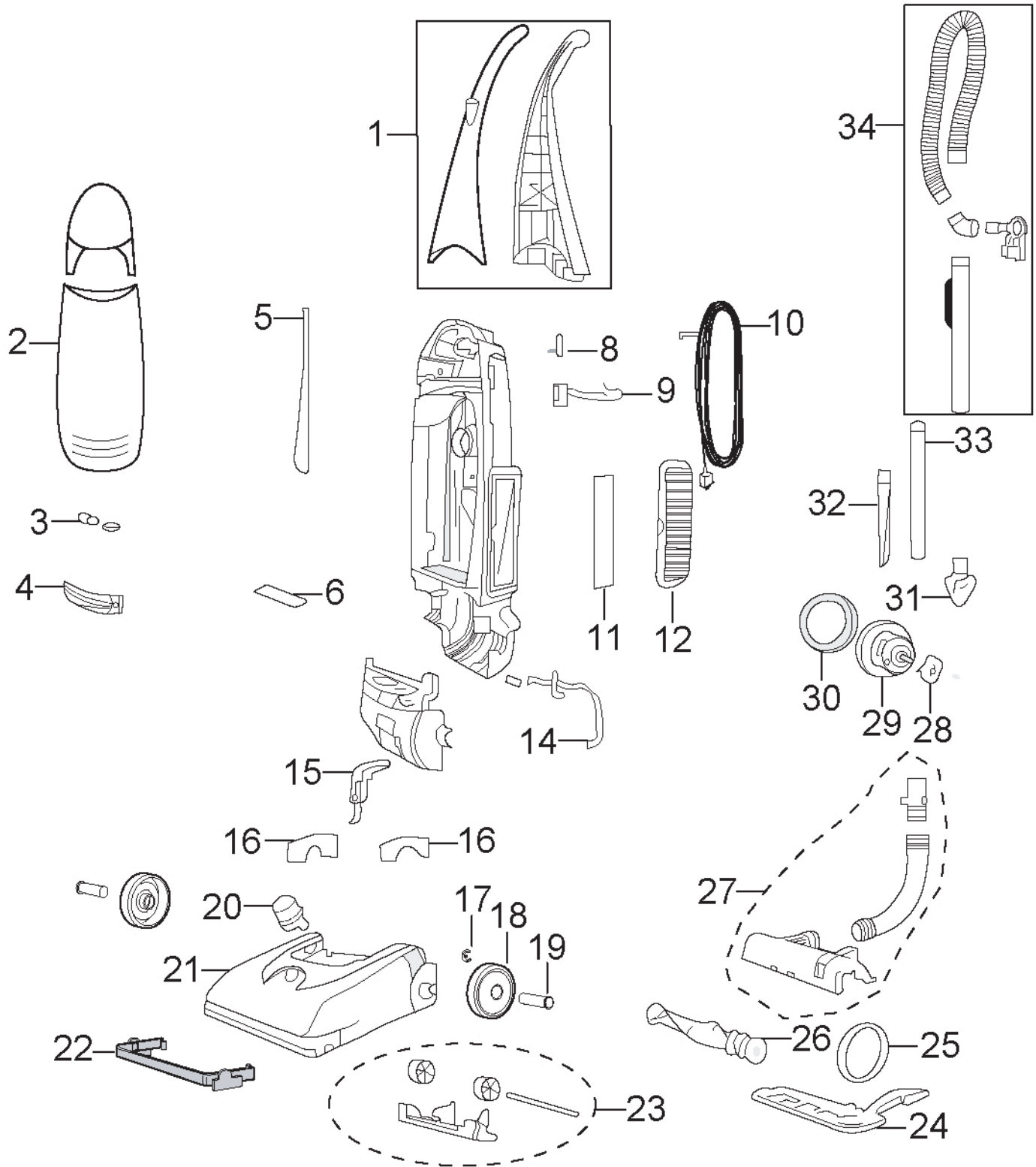




UPRIGHT VACUUM

Model 3522-5



Bissell Homecare Inc. (U.S.)
Phone: 1-800-457-1509
Fax: 1-800-517-9535
partner.bissell.com

Bissell Canada
Phone: 1-800-465-1283 ext. #28
Fax: 905-356-0625
Email: Canada.custhelp@bissell.com

Issued: February 2005

Revised: April 2005

© 2005 BISSELL Homecare, Inc.

UPRIGHT VACUUM**POWERFORCE™ Model 3522-5**

KEY	PART NO	DESCRIPTION
1	2031098	HANDLE ASSY - BLACK
2	2031247	BAG DOOR ASSY - BLACK
3	2031297	LIGHT BULB (12V)
4	2031008	WINDOW, LAMP
5	2031106	WIRE CAP
6	2031089	FILTER KIT - (1) PRE / (1) POST
8	2031018	CORD RELEASE
9	2031035	SWITCH ROCKER
10	2031105	CORD
11	2031009	POST MOTOR FILTER
12	2031088	FILTER GRILLE - POST
14	2031108	HARNESS THERMO
15	2031044	LEVER RELEASE
16	2031112	RIGHT NECK BRUSH
17	2032548	E-RING
18	2032070	REAR WHEEL
19	2032547	AXLE
20	2031095	KNOB
21	2031113	FOOT COVER - BLACK
22	2031114	BUMPER
23	2032556	ROLLER ASSY
24	2031091	ACCESS PLATE
25	2031093	BELT
26	2032032	BRUSH
27	2031110	CASE DRUM ASSY
28	2031101	MOTOR SUPPORT
29	2032211	MOTOR
30	2031107	MOTOR CUSHION - LARGE
31	2031099	COMBO TOOL UPH/DUSTING
32	2031063	CREVICE TOOL
33	2031022	EXTENSION WAND
34	2031097	HOSE ASSY
xx	2031003	SCREW FOR HANDLE ASSY
xx	2032553	BELT GUIDE
xx	2106103	USER'S GUIDE
xx	32120	STYLE 7 BAG (3-PACK)
xx	32074	STYLE 7 BELT (2-PACK)

BISSELL Homecare, Inc. (U.S.)
Phone: 1-800-457-1509
Fax: 1-800-517-9535
partner.bissell.com

Bissell Canada
Phone: 1-800-465-1283 ext. #28
Fax: 905-356-0625
Email: Canada.custhelp@bissell.com

Issued: 02/05
Revised: 04/05
© 2005 BISSELL Homecare, Inc.