

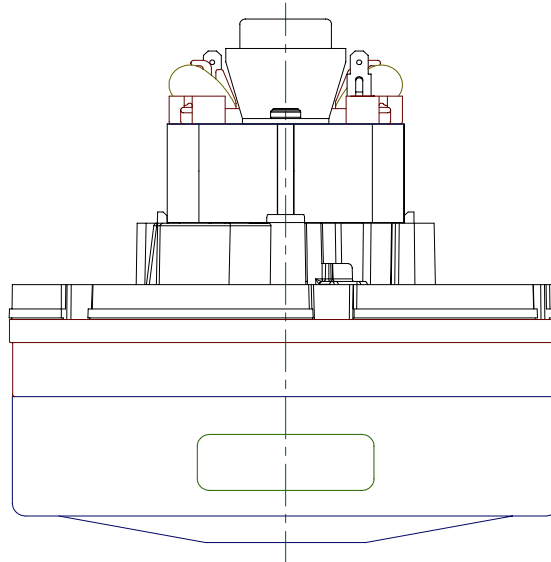


**DESCRIPTION**

- Two stage
- 120 volts
- 5.7"/145 mm diameter
- Double Ball bearing system
- Single speed
- Thru-flow discharge
- Thermoset fan end bracket
- Stamped steel end bracket

**DESIGN APPLICATION**

- Equipment operating in environments not requiring separation of working air from motor ventilating air
- Designed to handle clean, dry, filtered air only

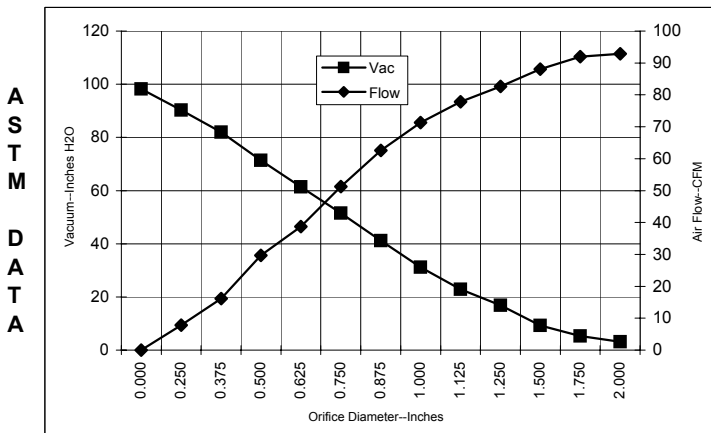


**SPECIAL FEATURES**

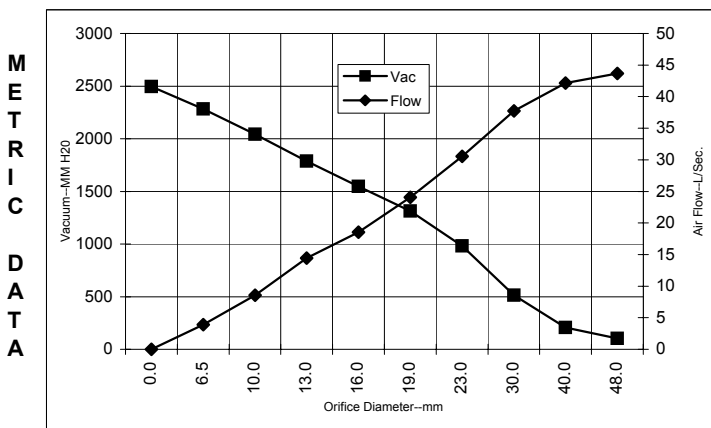
- Suitable for 120 volt AC operation, 50/60 Hz
- UL recognized, category PRGY2 (E47185)
- Provision for grounding per UL 1563
- CSA certified, class 1611 01 (LR31393)
- Skeleton-frame construction
- **Patented Advantek diffusion fan system**
- **Self Hold thermal device**

**TYPICAL MOTOR PERFORMANCE.\***

(At 120 volts, 60Hz, test data is corrected to standard conditions of 29.92 Hg, 68° F.)



Orifice (Inches)	Amps	Watts (In)	RPM	Vac (In.H <sub>2</sub> O)	Flow (CFM)	Air Watts
2.000	7.2	823	19830	3.1	92.9	34
1.750	7.2	823	19770	5.3	92.0	57
1.500	7.2	826	19740	9.3	88.1	96
1.250	7.3	831	19600	16.9	82.6	164
1.125	7.3	835	19600	22.9	77.8	210
1.000	7.3	830	19530	31.2	71.3	261
0.875	7.2	826	19630	41.2	62.6	303
0.750	7.0	804	19990	51.6	51.3	311
0.625	6.6	760	20590	61.4	38.7	280
0.500	6.1	706	21490	71.4	29.6	224
0.375	5.5	642	22730	82.0	16.2	156
0.250	5.0	587	23930	90.3	7.8	83
0.000	4.6	542	25080	98.2	0.0	0



Orifice (mm)	Amps	Watts (In)	RPM	Vac (mm H <sub>2</sub> O)	Flow (L/Sec)	Air Watts
48.0	7.2	823	19804	104	43.6	44
40.0	7.2	825	19749	205	42.1	84
30.0	7.3	833	19600	513	37.7	189
23.0	7.2	827	19605	982	30.6	293
19.0	7.0	803	20002	1314	24.1	310
16.0	6.6	762	20566	1549	18.5	281
13.0	6.2	711	21400	1788	14.4	229
10.0	5.6	652	22544	2042	8.6	166
6.5	5.0	590	23870	2282	3.9	87
0.0	4.6	542	25080	2495	0.0	0

Note: Metric Performance data is calculated from the ASTM data above.

\* Data represents performance of a typical motor sampled from a large production quantity. Individual motor data may vary due to normal manufacturing variations.

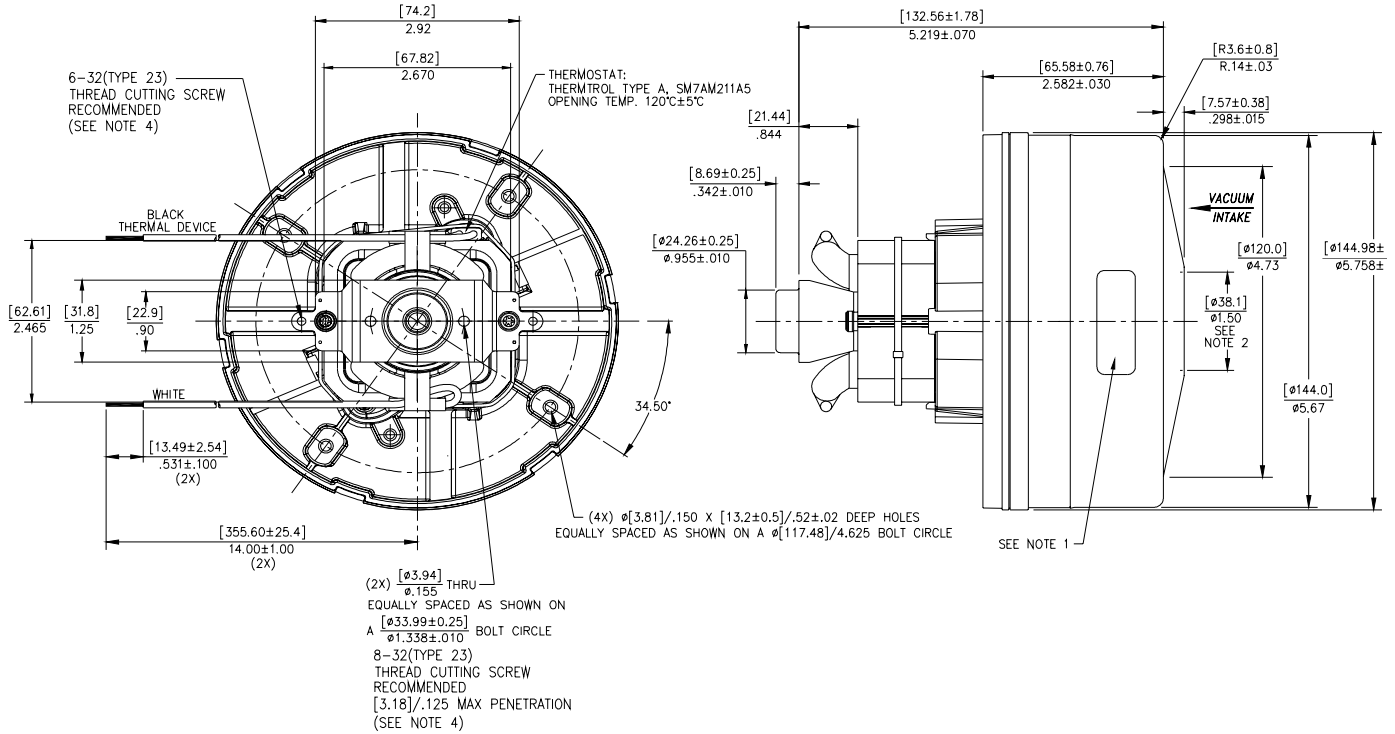
Test Specs:	120 volts	Minimum Sealed Vacuum:	TBD	ORIFICE:	7/8 "	Minimum Vacuum:	TBD	Maximum Watts:	TBD
-------------	-----------	------------------------	-----	----------	-------	-----------------	-----	----------------	-----



DIMENSIONS

NOTES:

1. MODEL NUMBER, DATE OF MANUFACTURE, PLANT LOCATION CODE, AGENCY RECOGNITION CODE, INSPECTOR'S CODE, MANUFACTURER'S NAME, "US PATENT: US 6,703,754 B1", VOLTAGE AND FREQUENCY, AND CUSTOMER'S PART NO. TO APPEAR ON MOTOR.
2. MOUNTING MUST NOT RESTRICT THIS DIAMETER.
3. LEADS: 18GA STRANDED.
4. GROUNDING OR EARTHING PROVISIONS: USE HOLES AS INDICATED FOR GROUNDING OR EARTHING. REFER TO APPROPRIATE LISTING OR REGULATORY AGENCY FOR PROPER METHOD OF GROUNDING OR EARTHING.



# ADVANTEK SPA

**IMPORTANT NOTE:** Pictorial and dimensional data are subject to change without notice. Contact factory for current revision levels.

**WARNING** - AMETEK Lamb Electric thru-flow vacuum motors must never be used in applications in which wet or moist conditions are involved, where dry chemicals or other volatile materials are present, or where airflow may be restricted or blocked. Such motors are designed to permit the vacuumed air to pass over the electrical winding to cool it. Thus any foam, liquid (including water), dry chemical, or other foreign substance coming in contact with electrical conductors could cause combustion (depending on volatility) or electrical shock. Failure to observe these precautions could result in property damage and severe personal injury, including death in extreme cases. All applications incorporating Lamb Electric motors should be submitted to Underwriters Laboratories Inc. or other appropriate organizations or agencies for testing specifically related to the safety of your equipment.

**AMETEK/Lamb Electric**  
**Specialty Motors Division**  
 627 Lake Street  
 Kent, Ohio 44240  
 U.S.A.  
 Tel: (330) 673-3451 Fax: (330) 677-3888  
[www.ametekspecialtymotors.com](http://www.ametekspecialtymotors.com)