



ADVANTEK II

SPECIAL FEATURES

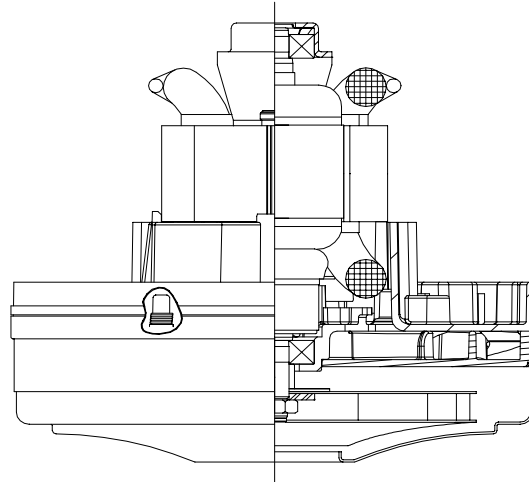
- Suitable for 120 volt AC operation 50/60 Hz
- UL recognized, category PRGY2 (E47185)
- Provision for grounding per UL 1563
- CSA certified, class 1611 01 (LR31393)
- Skeleton-frame construction
- **Patented Advantek diffusion**
- **Tapered high efficiency fan system**
- **Self Hold thermal device**

DESCRIPTION

- One stage
- 120 volts
- 5.7"/145mm diameter
- Ball/Ball bearing system
- Single speed
- Thru-flow discharge
- Thermoset fan end bracket
- Steel End-bracket

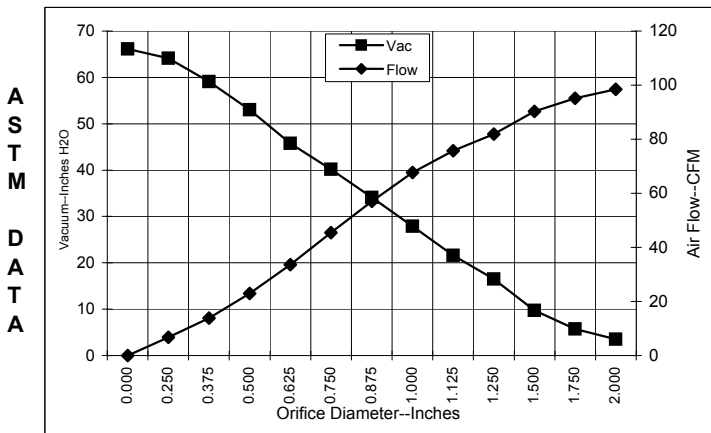
DESIGN APPLICATION

- Equipment operating in environments not requiring separation of working air from motor ventilating air
- Designed to handle clean, dry, filtered air only

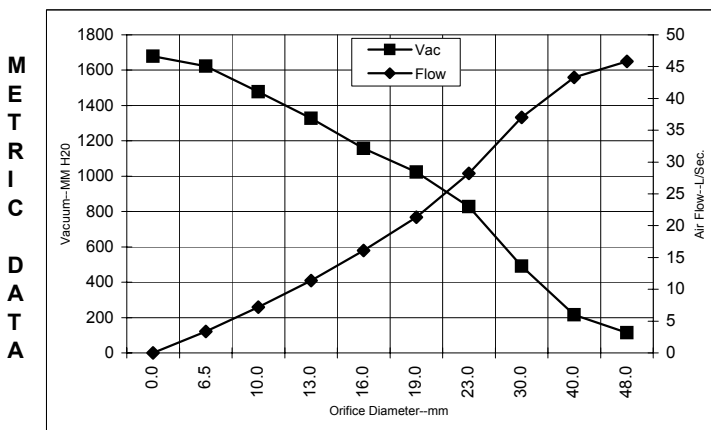


TYPICAL MOTOR PERFORMANCE.*

(At 120 volts, 60Hz, test data is corrected to standard conditions of 29.92 Hg, 68° F.)



Orifice (Inches)	Amps	Watts (In)	RPM	Vac (In.H ₂ O)	Flow (CFM)	Air Watts
2.000	5.4	627	20840	3.6	98.5	41
1.750	5.4	628	20920	5.7	95.2	64
1.500	5.3	622	21030	9.7	90.3	104
1.250	5.3	613	21210	16.5	81.9	159
1.125	5.2	605	21360	21.6	75.7	193
1.000	5.0	588	21710	27.9	67.7	222
0.875	4.9	569	22160	34.1	57.1	229
0.750	4.6	534	22940	40.2	45.4	215
0.625	4.2	496	24030	45.8	33.6	181
0.500	3.9	460	25540	53.0	23.0	143
0.375	3.6	426	26390	59.1	13.9	97
0.250	3.4	400	28130	64.1	6.8	52
0.000	3.2	377	29480	66.1	0.0	0



Orifice (mm)	Amps	Watts (In)	RPM	Vac (mm H ₂ O)	Flow (L/Sec)	Air Watts
48.0	5.4	627	20875	114	45.8	51
40.0	5.4	624	20997	216	43.3	92
30.0	5.2	609	21293	490	37.0	178
23.0	4.9	574	22048	827	28.2	227
19.0	4.6	533	22962	1024	21.3	214
16.0	4.2	498	23986	1158	16.1	182
13.0	3.9	464	25389	1328	11.4	147
10.0	3.6	431	26263	1478	7.2	104
6.5	3.4	401	28043	1622	3.4	54
0.0	3.2	377	29480	1679	0.0	0

Note: Metric performance data is calculated from the ASTM data above.

* Data represents performance of a typical motor sampled from a large production quantity. Individual motor data may vary due to normal manufacturing variations.

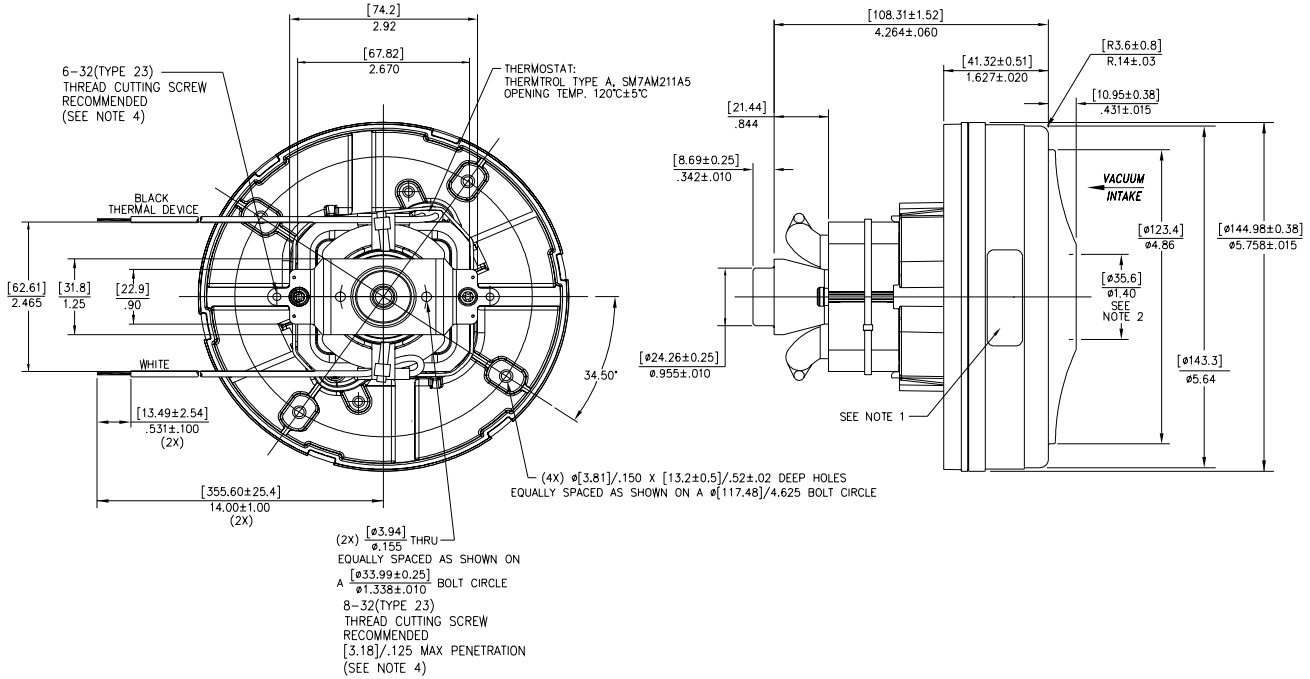
Test Specs:	120 volts	Minimum Sealed Vacuum:	TBD	ORIFICE:	7/8"	Minimum Vacuum:	TBD	Maximum Watts:	TBD
-------------	-----------	------------------------	-----	----------	------	-----------------	-----	----------------	-----



DIMENSIONS

NOTES:

1. MODEL NUMBER, DATE OF MANUFACTURE, PLANT LOCATION CODE, AGENCY RECOGNITION CODE, INSPECTOR'S CODE, MANUFACTURER'S NAME, "US PATENT: US 6,703,754 B1", VOLTAGE AND FREQUENCY TO APPEAR ON MOTOR.
2. MOUNTING MUST NOT RESTRICT THIS DIAMETER.
3. LEADS: 18GA STRANDED.
4. GROUNDING OR EARTHING PROVISIONS: USE HOLES AS INDICATED FOR GROUNDING OR EARTHING. REFER TO APPROPRIATE LISTING OR REGULATORY AGENCY FOR PROPER METHOD OF GROUNDING OR EARTHING.



ADVANTEK SPA

IMPORTANT NOTE: Pictorial and dimensional data are subject to change without notice. Contact factory for current revision levels.

WARNING - AMETEK Lamb Electric thru-flow vacuum motors must never be used in applications in which wet or moist conditions are involved, where dry chemicals or other volatile materials are present, or where airflow may be restricted or blocked. Such motors are designed to permit the vacuumed air to pass over the electrical winding to cool it. Thus any foam, liquid (including water), dry chemical, or other foreign substance coming in contact with electrical conductors could cause combustion (depending on volatility) or electrical shock. Failure to observe these precautions could result in property damage and severe personal injury, including death in extreme cases. All applications incorporating Lamb Electric motors should be submitted to Underwriters Laboratories Inc. or other appropriate organizations or agencies for testing specifically related to the safety of your equipment.

AMETEK/Lamb Electric
Specialty Motors Division
627 Lake Street
Kent, Ohio 44240
U.S.A.
Tel: (330) 673-3451 Fax: (330) 677-3888
www.ametekspecialtymotors.com