

**SPECIAL FEATURES**

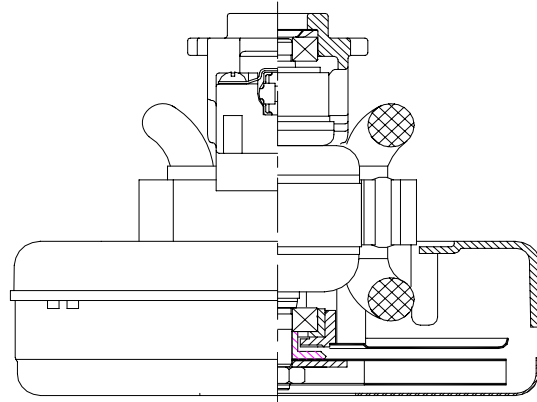
- Suitable for 120 volt AC operation, 50/60 Hz.
- UL recognized, category PRGY2 (E47185).
- CSA Certified, MC# 168884, Class 1611-01
- Provision for grounding.
- Skeleton-frame design.
- Thermostatic protection, automatic reset.
- Aluminum fan end bracket designed to dampen vibration and improve durability
- The GS vacuum motors offer a range of performance levels to meet design needs.

**DESCRIPTION**

- One stage
- 120 volts
- 5.7"/145 mm diameter
- Ball/Ball bearings
- Single speed
- Thru-flow discharge
- Aluminum fan end bracket
- Thermoset commutator bracket

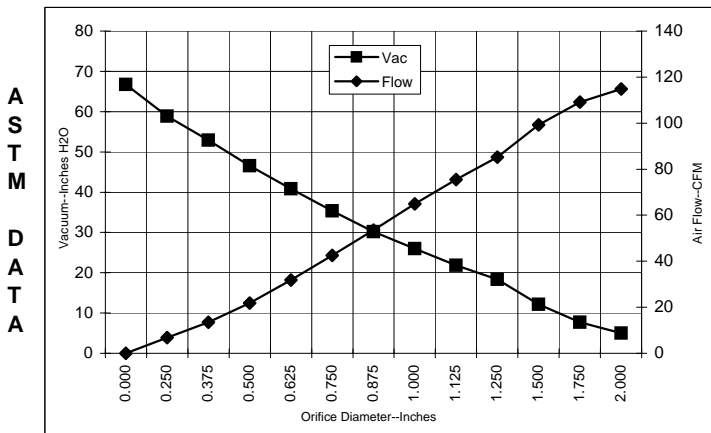
**DESIGN APPLICATION**

- Equipment operating in environments not requiring separation of working air from motor ventilating air
- Designed to handle clean, dry, filtered air only

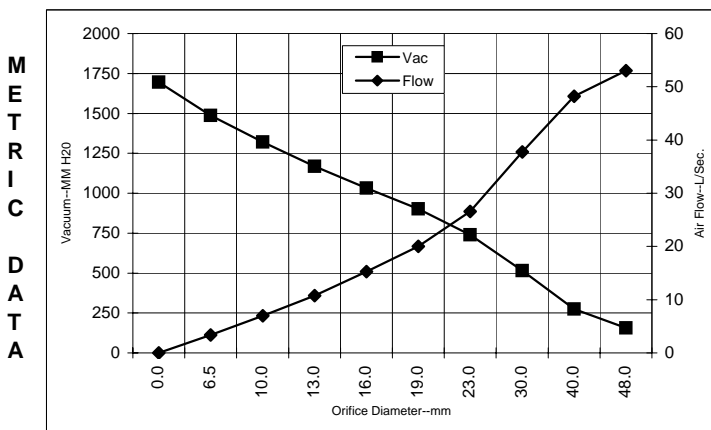


**TYPICAL MOTOR PERFORMANCE.\***

(At 120 volts, 60Hz, test data is corrected to standard conditions of 29.92 Hg, 68° F.)



Orifice (Inches)	Amps	Watts (In)	RPM	Vac (In.H <sub>2</sub> O)	Flow (CFM)	Air Watts
2.000	6.0	658	20060	5.0	114.9	67
1.750	6.0	663	19910	7.7	109.2	99
1.500	6.0	668	19800	12.1	99.2	142
1.250	6.0	665	19860	18.4	85.3	184
1.125	5.9	654	20040	21.9	75.5	194
1.000	5.8	636	20420	26.0	64.9	198
0.875	5.6	615	20980	30.2	53.5	190
0.750	5.3	589	21660	35.4	42.6	177
0.625	5.0	554	22490	40.8	31.9	153
0.500	4.7	520	23450	46.5	21.8	119
0.375	4.4	488	24810	52.9	13.5	84
0.250	4.1	458	25940	58.8	6.8	47
0.000	3.9	438	27120	66.7	0.0	0



Orifice (mm)	Amps	Watts (In)	RPM	Vac (mm H <sub>2</sub> O)	Flow (L/Sec)	Air Watts
48.0	6.0	660	19994	157	53.0	81
40.0	6.0	667	19833	275	48.2	129
30.0	6.0	659	19959	516	37.7	190
23.0	5.6	620	20840	740	26.6	192
19.0	5.3	588	21677	901	20.0	177
16.0	5.0	555	22457	1031	15.2	154
13.0	4.7	523	23354	1168	10.8	123
10.0	4.4	493	24606	1320	7.0	89
6.5	4.1	460	25884	1487	3.4	49
0.0	3.9	438	27120	1695	0.0	0

Note: Metric performance data is calculated from the ASTM data above.

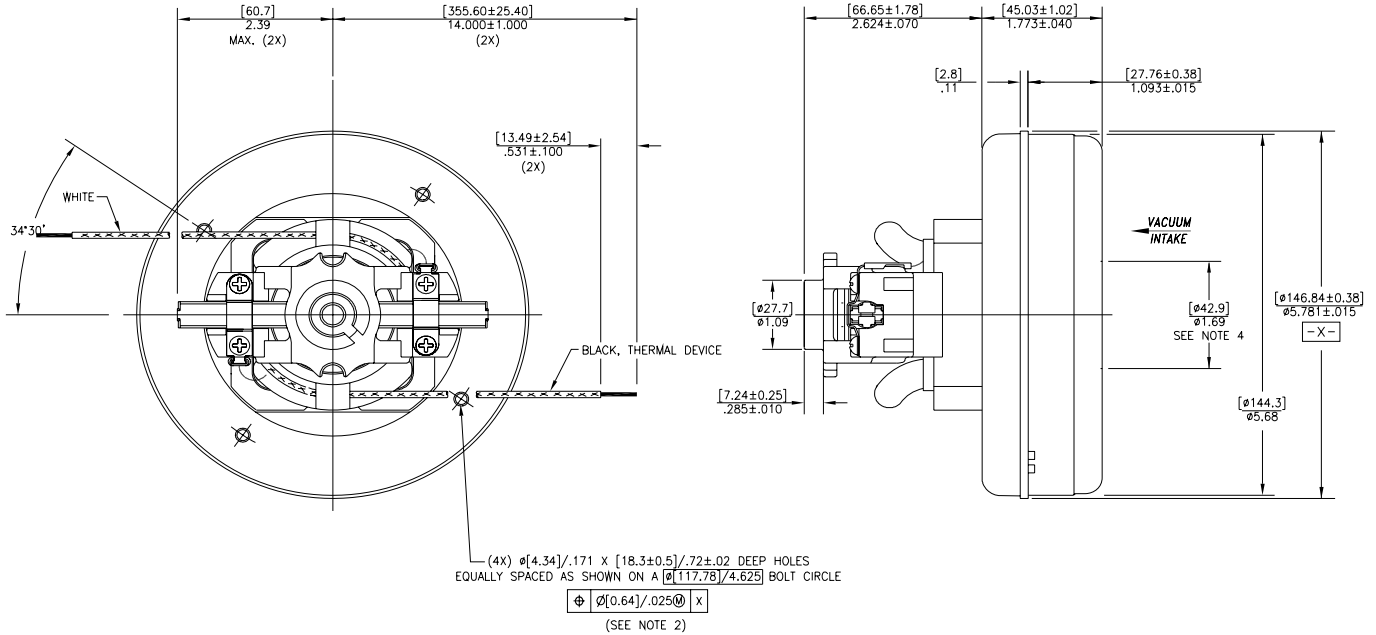
\* Data represents performance of a typical motor sampled from a large production quantity. Individual motor data may vary due to normal manufacturing variations.

<b>Test Specs:</b>	120 volts	<b>Minimum Sealed Vacuum:</b>	55.0"	<b>ORIFICE:</b>	7/8 "	<b>Minimum Vacuum:</b>	27.0"	<b>Maximum Watts:</b>	745
--------------------	-----------	-------------------------------	-------	-----------------	-------	------------------------	-------	-----------------------	-----

DIMENSIONS

NOTES:

1. LEADS: 18GA STRANDED.
2. GROUNDING OR EARTHING PROVISIONS: USE HOLES AS INDICATED FOR GROUNDING OR EARTHING. REFER TO APPROPRIATE LISTING OR REGULATORY AGENCY FOR PROPER METHOD OF GROUNDING OR EARTHING.
3. MOTOR IDENTIFICATION: MANUFACTURER'S NAME, MODEL NUMBER, VOLTAGE, FREQUENCY, INSPECTOR'S CODE, DATE OF MANUFACTURE, AGENCY RECOGNITION CODE; PLANT LOCATION CODE AND COUNTRY OF ORIGIN
4. MOUNTING MUST NOT RESTRICT THIS DIAMETER.



**IMPORTANT NOTE:** Pictorial and dimensional data are subject to change without notice. Contact factory for current revision levels.

**WARNING** - AMETEK Global Motor Division thru-flow vacuum motors must never be used in applications in which wet or moist conditions are involved, where dry chemicals or other volatile materials are present, or where airflow may be restricted or blocked. Such motors are designed to permit the vacuumed air to pass over the electrical winding to cool it. Thus any foam, liquid (including water), dry chemical, or other foreign substance coming in contact with electrical conductors could cause combustion (depending on volatility) or electrical shock. Failure to observe these precautions could result in property damage and severe personal injury, including death in extreme cases. All applications incorporating Ametek commercial motors should be submitted to Underwriters Laboratories Inc. or other appropriate organizations or agencies for testing specifically related to the safety of your equipment.

**AMETEK - Global Motors**  
 627 Lake Street  
 Kent, Ohio 44240  
 U.S.A.  
 Tel: (330) 673-3451 Fax: (330) 677-3812  
 www.specialtymotors.com or www.lambelectric.com