

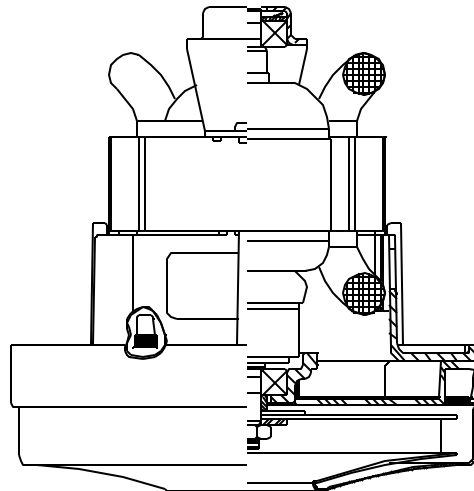


DESCRIPTION

- One stage
- 120 volts
- 5.1"145 mm diameter
- Double ball bearings
- Single speed
- Thru-flow discharge
- Thermoset fan/comm end bracket
- Stamped Steel End Bracket

DESIGN APPLICATION

- Equipment operating in environments not requiring separation of working air from motor ventilating air
- Designed to handle clean, dry, filtered air only



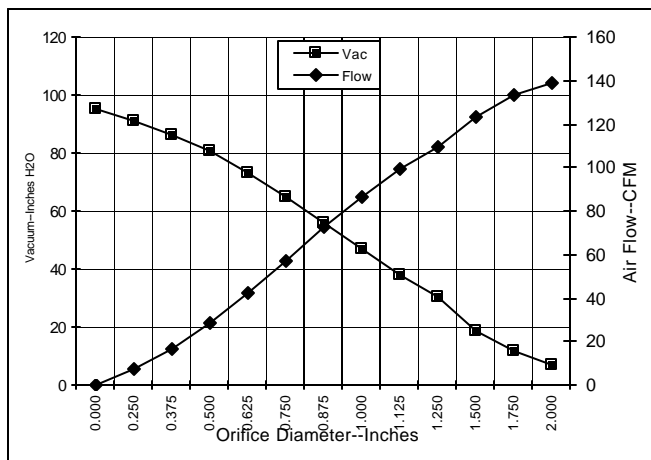
SPECIAL FEATURES

- Suitable for 120 volt AC operation, 50/60 Hz
- UL recognized, category PRGY2 (E47185)
- Provision for grounding
- Skeleton-frame design
- Therma Device
- The Lamb Electric vacuum motor line offers a wide range of performance levels to meet design needs

TYPICAL MOTOR PERFORMANCE.*

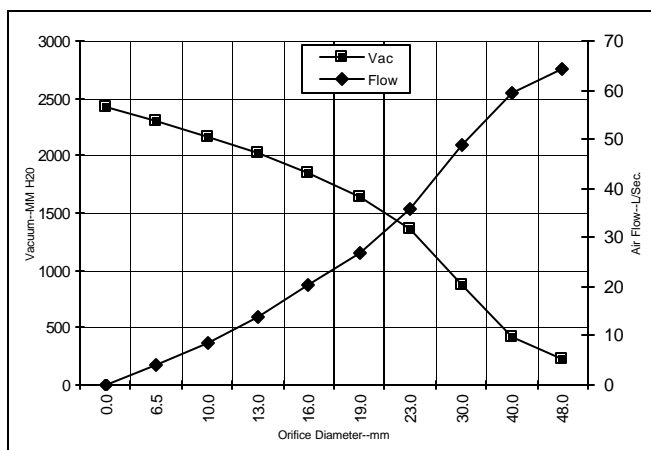
(At 120 volts, 60Hz, test data is corrected to standard conditions of 29.92 Hg, 68° F.)

ASTM DATA



Orifice (Inches)	Amps	Watts (In)	RPM	Vac (In.H ₂ O)	Flow (CFM)	Air Watts
2.000	13.1	1511	24950	7.1	138.4	116
1.750	13.1	1509	25020	11.4	133.3	179
1.500	12.9	1480	25245	18.4	123.1	267
1.250	12.5	1445	25725	30.3	109.5	390
1.125	12.2	1404	26170	37.9	99.0	440
1.000	11.6	1346	26685	46.6	86.5	473
0.875	11.1	1283	27410	55.9	72.7	478
0.750	10.3	1195	28395	64.7	57.3	436
0.625	9.5	1098	29690	72.8	42.1	360
0.500	8.6	1001	31105	80.6	28.2	267
0.375	8.0	933	32200	86.2	16.5	167
0.250	7.5	879	33210	91.1	7.8	83
0.000	7.0	818	34605	95.4	0.0	0

METRIC DATA



Orifice (mm)	Amps	Watts (In)	RPM	Vac (mm H ₂ O)	Flow (L/Sec)	Air Watts
48.0	13.1	1510	24981	228	64.3	144
40.0	12.9	1489	25178	414	59.5	241
30.0	12.3	1422	25970	876	49.0	418
23.0	11.2	1299	27229	1361	35.9	477
19.0	10.3	1193	28421	1647	26.9	434
16.0	9.5	1102	29638	1841	20.2	363
13.0	8.7	1011	30964	2027	14.0	276
10.0	8.1	943	32036	2168	8.6	182
6.5	7.5	882	33160	2308	3.9	87
0.0	7.0	818	34605	2423	0.0	0

Note: Metric performance data is calculated from the ASTM data above.

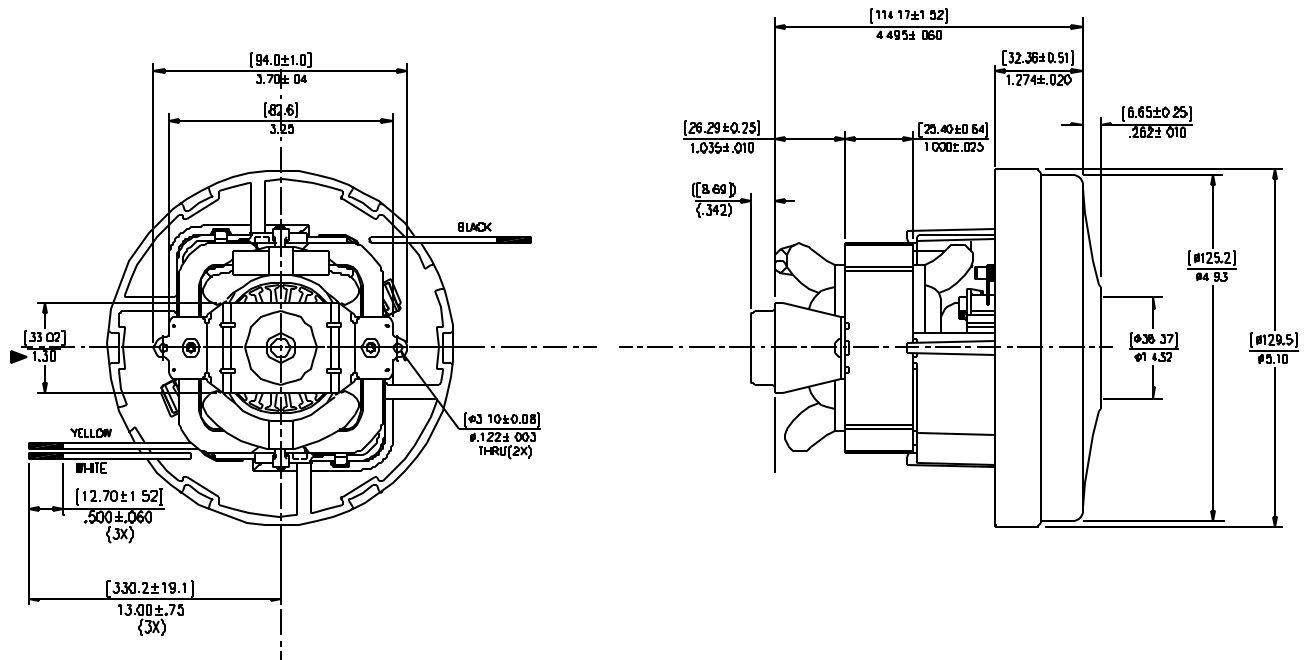
* Data represents performance of a typical motor sampled from a large production quantity. Individual motor data may vary due to normal manuf.

Test Specs: 120 volts	Minimum Sealed Vacuum:	ORIFICE:	Minimum Vacuum:	Maximum Watts:
------------------------------	-------------------------------	-----------------	------------------------	-----------------------

DIMENSIONS

NOTES:

1. MANUFACTURERS NAME, MODEL NUMBER, 120V, 60HZ, DATE OF MANUFACTURE, INSPECTION CODE WITH "F" SUFFIX (U.L. & C.S.A. RECOGNITION CODE), AND CUSTOMER PART NUMBER (T.B.D.) TO APPEAR ON MOTOR.
2. THE TAP VOLTAGE BETWEEN THE YELLOW AND THE WHITE LEADS AT 7/8 ORIFICE IS 10-12 VOLTS AT 60 Hz, 8-10 VOLTS AT 50 Hz.



IMPORTANT NOTE: Pictorial and dimensional data are subject to change without notice. Contact factory for current revision levels.

WARNING - AMETEK Lamb Electric thru-flow vacuum motors must never be used in applications in which wet or moist conditions are present, or where dry chemicals or other volatile materials are present, or where airflow may be restricted or blocked. Such motors are designed to permit the air to pass over the electrical winding to cool it. Thus any foam, liquid (including water), dry chemical, or other foreign substance coming in contact with the electrical conductors could cause combustion (depending on volatility) or electrical shock. Failure to observe these precautions could result in property damage or severe personal injury, including death in extreme cases. All applications incorporating Lamb Electric motors should be submitted to Underwriters Laboratories or other appropriate organizations or agencies for testing specifically related to the safety of your equipment.

AMETEK/Lamb Electric Division
627 Lake Street
Kent, Ohio 44240
U.S.A.
Tel: (330) 673-3451 Fax: (330) 673-8994
www.lambelectric.com