



**AMETEK**  
**LAMB ELECTRIC**

**Product Bulletin**

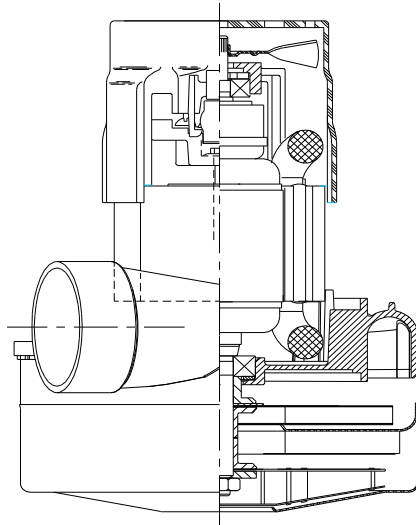
**Model: 119631-00**

**DESCRIPTION**

- Double stage
- 120 volts
- 5.7"/ 145 mm diameter
- Dual ball bearings
- Single speed
- Tangential bypass discharge
- Aluminum fan end bracket
- Aluminum commutator bracket

**DESIGN APPLICATION**

- Equipment operating in environments requiring separation of working air from motor ventilating air
- Designed to handle clean, dry, filtered air only



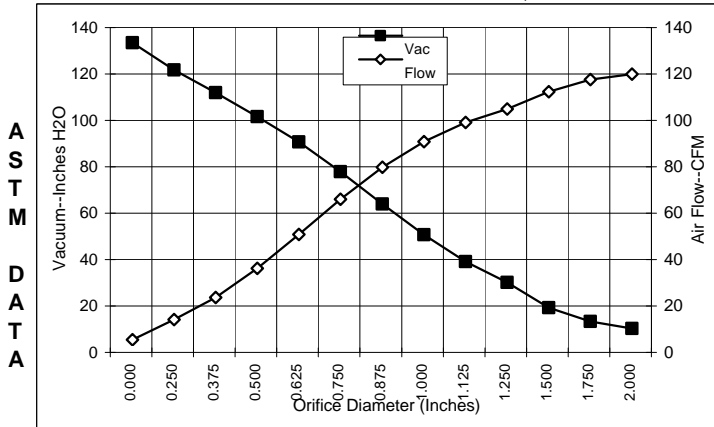
**SPECIAL FEATURES**

- Suitable for 120 volt AC operation, 50/60 Hz
- UL recognized, category PRGY2 (E47185)
- Provision for grounding
- Skeleton frame design
- Tapered fan system
- The Lamb vacuum motor line offers a wide range of performance levels to meet design needs

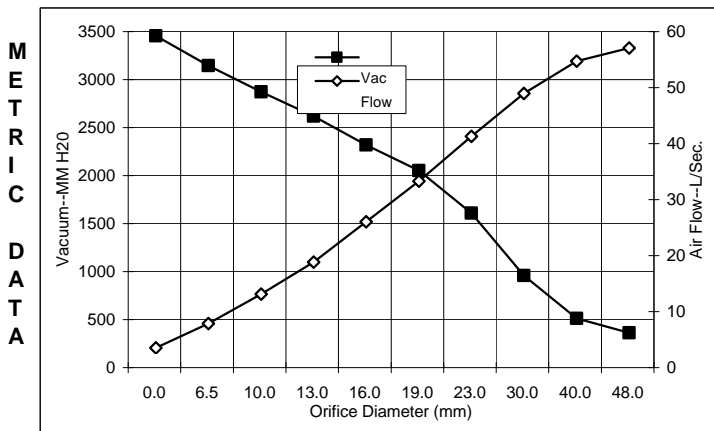


**TYPICAL MOTOR PERFORMANCE.\***

(At 120 volts, 60Hz, test data is corrected to standard conditions of 29.92 Hg, 68° F.)



Orifice (Inches)	Amps	Watts (In)	RPM	Vac (In.H <sub>2</sub> O)	Flow (CFM)	Air Watts
2.000	14.4	1659	22826	4.8	114.5	65
1.750	14.4	1655	22820	7.9	112.1	105
1.500	14.4	1653	22723	13.8	106.9	173
1.250	14.4	1655	22710	24.7	99.4	289
1.125	14.4	1649	22753	33.7	93.6	371
1.000	14.3	1646	22920	45.3	85.4	454
0.875	14.1	1616	23106	58.5	74.3	511
0.750	13.5	1554	23513	72.4	60.5	515
0.625	12.7	1469	24163	85.2	45.4	454
0.500	11.8	1365	25156	96.1	30.8	348
0.375	10.7	1247	26233	106.5	18.2	228
0.250	9.7	1137	27593	116.3	8.7	119
0.000	9.0	1056	28743	128.0	0.0	0



Orifice (mm)	Amps	Watts (In)	RPM	Vac (mm H <sub>2</sub> O)	Flow (L/Sec)	Air Watts
48.0	14.4	1657	22823	157	53.5	83
40.0	14.4	1654	22752	306	51.2	153
30.0	14.4	1652	22734	753	45.4	334
23.0	14.1	1624	23060	1402	37.8	515
19.0	13.5	1552	23526	1845	29.8	528
16.0	12.7	1472	24137	2115	22.5	470
13.0	11.9	1375	25057	2413	15.3	359
10.0	10.9	1265	26071	2665	9.6	246
6.5	9.8	1143	27525	2942	4.3	124
0.0	9.0	1056	28743	3251	0.0	0

Note: Metric performance data is calculated from the ASTM data above.

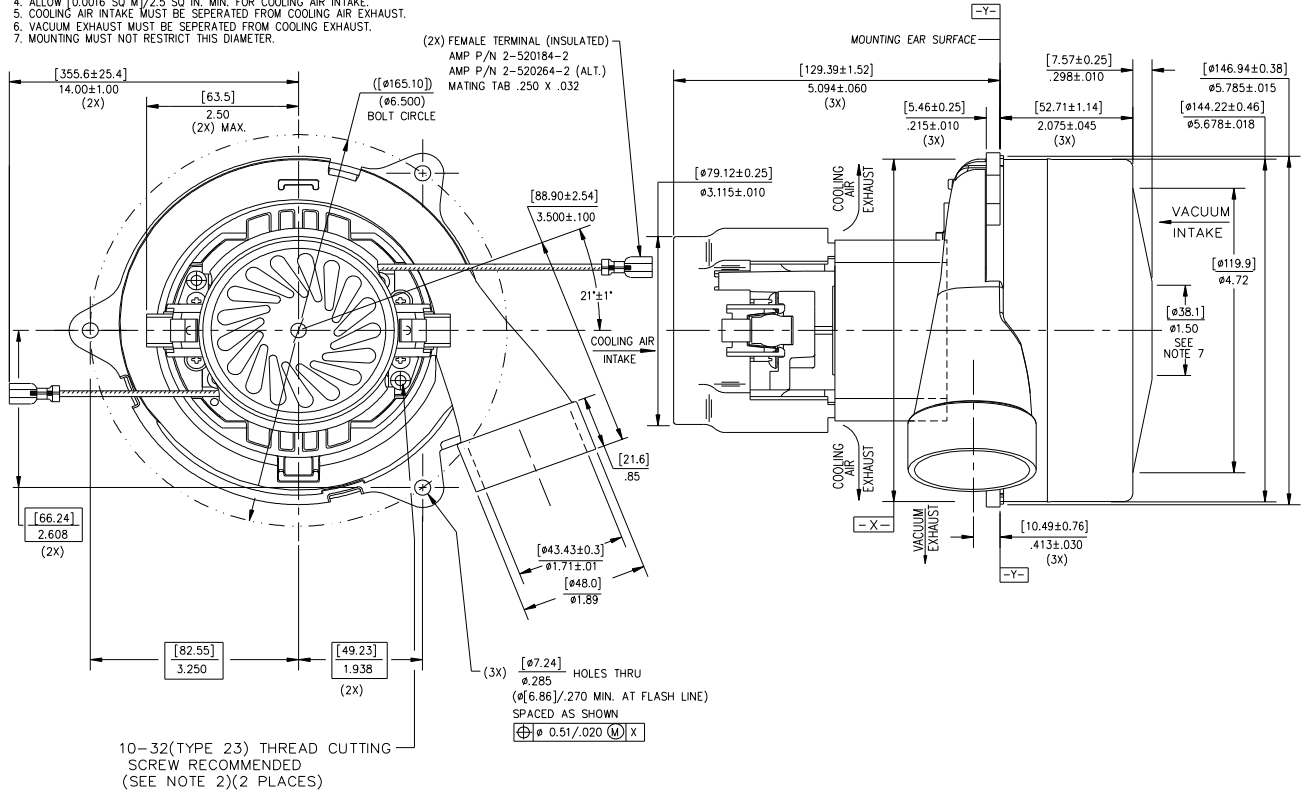
\* Data represents performance of a typical motor sampled from a large production quantity. Individual motor data may vary to normal manufacturing variations.

<b>Test Specs:</b>	120 volt	Minimum Sealed Vacuum: 76 122.0"	ORIFICE: 7/8"	Minimum Vacuum: 57.0"	Maximum Watts: 1686
--------------------	----------	----------------------------------	---------------	-----------------------	---------------------

**DIMENSIONS**

NOTES:

1. LEADS: 18GA STRANDED, LEADS CAN BE ANY COLOR EXCEPT GREEN OR GREEN WITH YELLOW STRIPE.
2. GROUNDING OR EARTHING PROVISIONS: USE HOLES AS INDICATED FOR GROUNDING OR EARTHING. REFER TO APPROPRIATE LISTING OR REGULATORY AGENCY FOR PROPER METHOD OF GROUNDING OR EARTHING.
3. MOTOR IDENTIFICATION: MANUFACTURER'S NAME, MODEL NUMBER, VOLTAGE, FREQUENCY, INSPECTOR'S CODE, DATE OF MANUFACTURE, AGENCY RECOGNITION CODE, PLANT LOCATION CODE, PATENT INFORMATION, ONE OR MORE OF THE FOLLOWING PATENTS APPLY TO THIS MOTOR: 5482378; 5736805; 4669952; 4684835\*. AND MADE IN THE USA.
4. ALLOW 10.0016 SQ M/2.5 SQ IN. MIN. FOR COOLING AIR INTAKE.
5. COOLING AIR INTAKE MUST BE SEPERATED FROM COOLING AIR EXHAUST.
6. VACUUM EXHAUST MUST BE SEPERATED FROM COOLING EXHAUST.
7. MOUNTING MUST NOT RESTRICT THIS DIAMETER.



**IMPORTANT NOTE:** Pictorial and dimensional data are subject to change without notice. Contact factory for current revision levels.

**WARNING** - When using AMETEK/Lamb Electric bypass motors in machines that come in contact with foam, liquid (including water) of other foreign substances, the machine must be designed and constructed to prevent those substances from reaching the fan system, motor housing and electrical components. Lamb vacuum motors other than hazardous duty models should not be applied in machines that come in contact with dry chemicals or other volatile materials. Failure to observe these precautions could cause flashing (depending on volatility) or electrical shock which could result in property damage and severe bodily injury, including death in extreme cases. All applications incorporating Lamb motors should be submitted to appropriate organizations or agencies for testing specifically related to the safety of your equipment.

**AMETEK/Lamb Electric Division**  
 627 Lake Street  
 Kent, Ohio 44240  
 U.S.A.  
 Tel: (330) 673-3451  
 Fax: (330) 673-8994

**Ametek GmbH**  
 Weillimdorfer Str. 47  
 D-70825 Korntal-Munchingen  
 Germany  
 Phone: + 49-0711-838-7876  
 Fax: + 49-0711-838-7862

**AMETEK/Singapore Private Limited**  
 10 Ang Mo Kio Street 65  
 # 05-12 Techpoint  
 Singapore 2056  
 Tel: + 65-484-2388  
 Fax: + 65-481-6588