

LAMB ELECTRIC

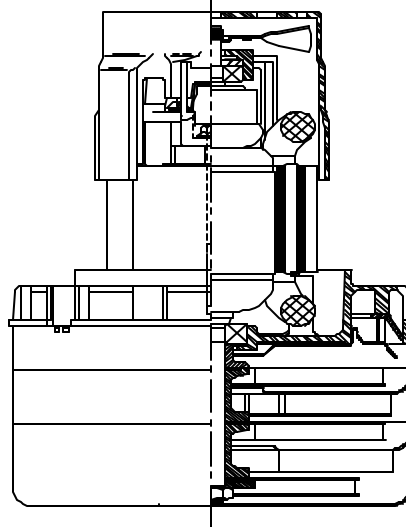
Model: 117944-00

DESCRIPTION

- Three stages
- 240 volts
- 5.7"/145 mm diameter
- Double ball bearings
- Single speed
- ACUSTEK® low-noise peripheral bypass discharge
- Aluminum fan end bracket
- Aluminum commutator bracket

DESIGN APPLICATION

- Equipment operating in environments requiring separation of working air from motor ventilating air
- Designed to handle clean, dry, filtered air only

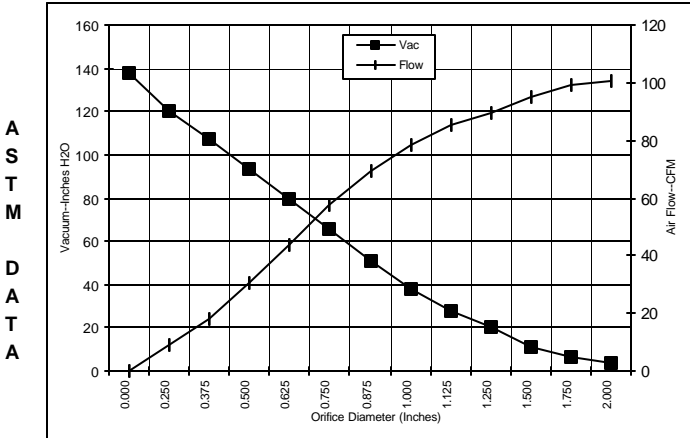


SPECIAL FEATURES

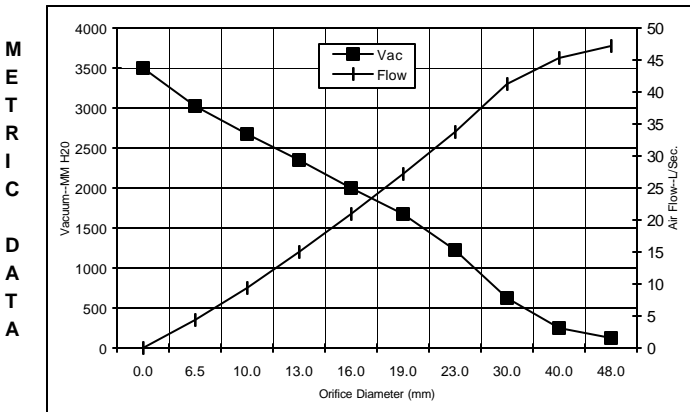
- Suitable for 240 volt AC operation, 50/60 Hz
- UL recognized, category PRGY2 (E47185)
- Provision for grounding
- Skeleton-frame design
- 10 mm shaft and bearing system
- Aluminum fan end bracket designed to dampen vibration and improve durability
- ACUSTEK® low-noise design, U.S. Patent #1,417,200
- The Lamb Electric vacuum motor line offers a wide range of performance levels to meet design needs

TYPICAL MOTOR PERFORMANCE.*

(At 240 volts, 60Hz, test data is corrected to standard conditions of 29.92 Hg, 68° F.)



Orifice (Inches)	Amps	Watts (In)	RPM	Vac (In.H ₂ O)	Flow (CFM)	Air Watts
2.000	6.7	1521	20260	3.7	100.3	43
1.750	6.7	1527	20210	6.1	98.9	72
1.500	6.8	1536	20140	10.9	95.2	122
1.250	6.8	1551	20040	20.0	89.8	212
1.125	6.9	1564	19970	27.6	85.1	277
1.000	6.9	1571	19880	38.1	78.5	351
0.875	6.9	1568	19910	51.2	69.6	419
0.750	6.7	1527	20200	65.6	57.6	444
0.625	6.3	1436	20820	79.8	44.0	413
0.500	5.8	1322	21680	93.6	30.4	334
0.375	5.2	1188	22880	107.7	18.3	231
0.250	4.6	1064	24160	120.1	8.9	126
0.000	4.1	965	25620	138.1	0.0	0



Orifice (mm)	Amps	Watts (In)	RPM	Vac (mm H ₂ O)	Flow (L/Sec)	Air Watts
48.0	6.7	1524	20238	121	47.1	56
40.0	6.7	1533	20161	240	45.5	107
30.0	6.9	1558	20002	614	41.2	248
23.0	6.9	1569	19903	1217	33.9	402
19.0	6.7	1525	20212	1673	27.1	443
16.0	6.3	1440	20795	2012	21.0	414
13.0	5.8	1333	21594	2342	15.0	342
10.0	5.3	1208	22700	2682	9.5	246
6.5	4.6	1070	24096	3035	4.4	131
0.0	4.1	965	25620	3508	0.0	0

Note: Metric performance data is calculated from the ASTM data above.

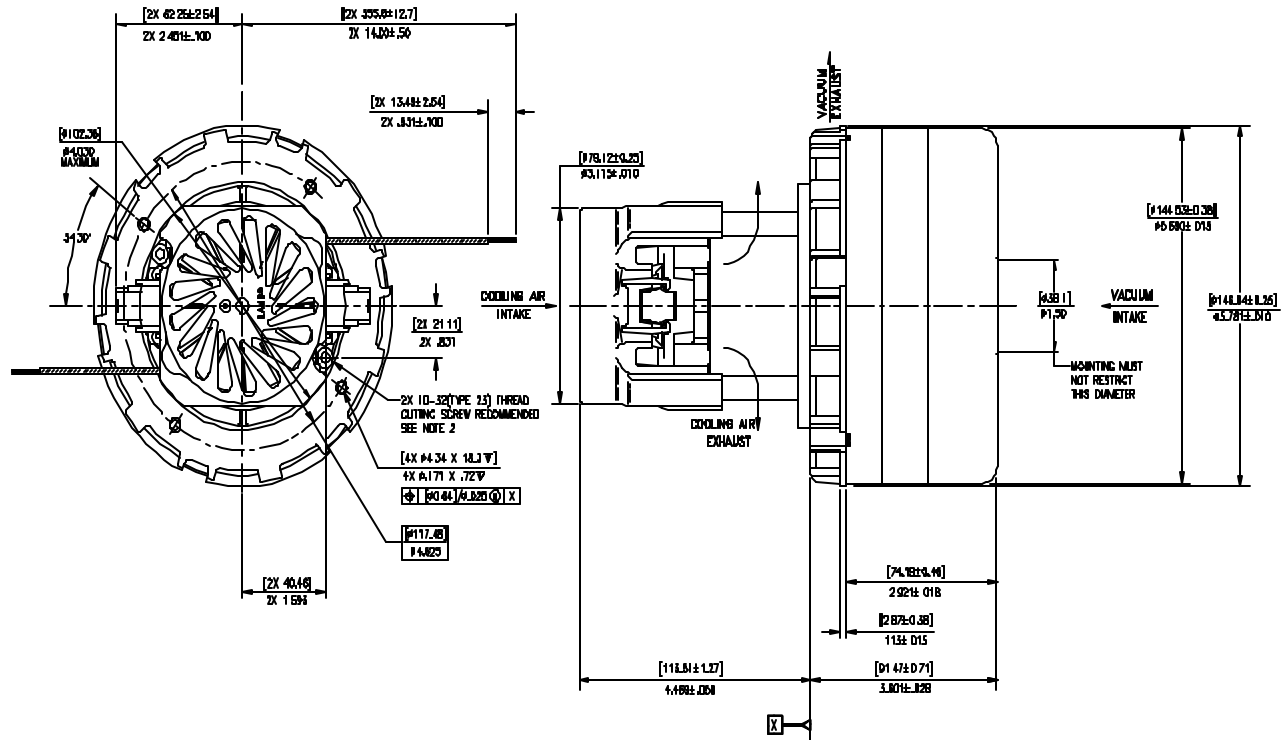
* Data represents performance of a typical motor sampled from a large production quantity. Individual motor data may vary due to normal manufacturing variat

Test Specs:	240 volts	Minimum Sealed Vacuum:	132.0"	ORIFICE:	7/8"	Minimum Vacuum:	44.0"	Maximum Watts:	1760
-------------	-----------	------------------------	--------	----------	------	-----------------	-------	----------------	------

DIMENSIONS

NOTES:

1. LEADS: 18GA STRANDED LEADS CAN BE ANY COLOR EXCEPT GREEN OR GREEN WITH YELLOW STRIPE
2. GROUNDING OR CAPTURING PROVISIONS: USE HOLES AS INDICATED FOR GROUNDING OR EARTHING.
3. REFER TO APPROPRIATE LISTING OR REGULATORY AGENCY FOR PROPER METHOD OF GROUNDING OR EARTHING.
4. RECOMMENDED SCREW SIZE: 10-36 TYPE B7 OR B7C THREAD CUTTING SCREEN MAXIMUM PENETRATION [17.40]/68L.
5. ALLOW [14.229 MM SQUARE]/2.5 IN SQUARE FOR COOLING AIR INTAKE.
6. COOLING AIR INTAKE MUST BE SEPERATED FROM COOLING AIR EXHAUST.
7. VACUUM EXHAUST MUST BE SEPERATED FROM COOLING AIR EXHAUST.
8. MOTOR IDENTIFICATION: MODEL NUMBER, DATE OF MANUFACTURE, UL & CSA RECOGNITION CODE, INSPECTORS CODE, MANUFACTURERS NAME, MADE IN U.S.A., VOLTAGE AND FREQUENCY.



IMPORTANT NOTE: Pictorial and dimensional data are subject to change without notice. Contact factory for current revision levels.

WARNING - When using AMETEK Lamb Electric bypass motors in machines that come in contact with foam, liquid (including water), or other foreign substances, the machine must be designed and constructed to prevent those substances from reaching the fan system, motor housing, and electrical components. Lamb Electric vacuum motors other than hazardous duty models should not be applied in machines that come in contact with dry chemicals or other volatile materials. Failure to observe these precautions could cause flashing (depending on volatility) or electrical shock which could result in property damage and severe bodily injury, including death in extreme cases. All applications incorporating Lamb Electric motors should be submitted to appropriate organizations or agencies for testing specifically related to the safety of your equipment.

AMETEK/Lamb Electric Division
 627 Lake Street
 Kent, Ohio 44240
 U.S.A.
 Tel: (330) 673-3451
 Fax: (330) 673-8994

Ametek GmbH
 Weillindorfer Str. 47
 D-70825 Korntal-Munchingen
 Germany
 Phone: + 49-711-838-7876
 Fax: + 49-711-838-7862

AMETEK/Singapore Private Limited
 10 Ang Mo Kio Street 65
 # 05-12 Techpoint
 Singapore 2056
 Tel: + 65-484-2388
 Fax: + 65-481-6588