

LAMB ELECTRIC

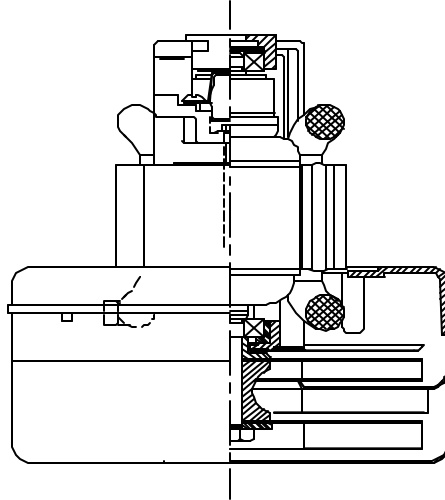
Model: 116604-00

DESCRIPTION

- Two stage
- 240 volts
- 5.7"/145 mm diameter
- Double ball bearings
- Single speed
- Thru-flow discharge
- Aluminum fan bracket
- Aluminum commutator bracket

DESIGN APPLICATION

- Equipment operating in environments not requiring separation of working air from motor ventilating air
- Designed to handle clean, dry, filtered air only

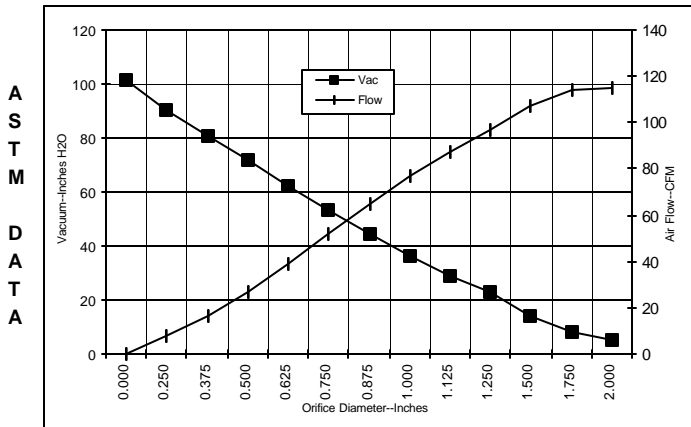


SPECIAL FEATURES

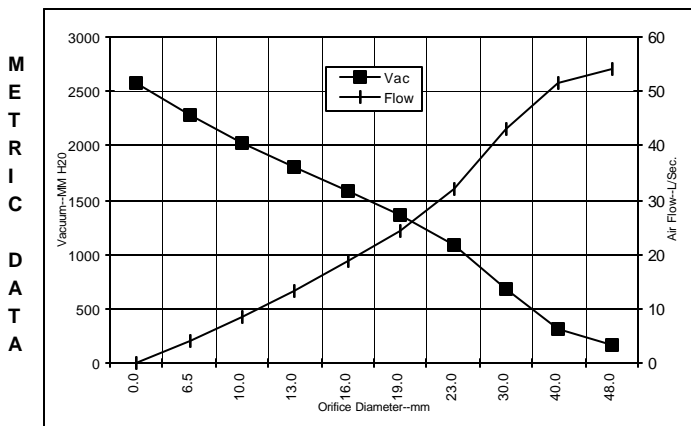
- Suitable for 240 volt AC operation, 50/60 Hz
- UL Recognized, category PRGY2 (E47185)
- Thermal protection, automatic reset, UL category XEWR2 (E27701)
- Provision for grounding
- Skeleton-frame design
- The Lamb Electric vacuum motor line offers a wide range of performance levels to meet design needs

TYPICAL MOTOR PERFORMANCE.*

(At 240 volts, 60Hz, test data is corrected to standard conditions of 29.92 Hg, 68° F.)



Orifice (Inches)	Amps	Watts (In)	RPM	Vac (In.H ₂ O)	Flow (CFM)	Air Watts
2.000	5.2	1179	19335	4.9	114.8	66
1.750	5.2	1189	19395	8.3	114.2	111
1.500	5.3	1199	19255	13.8	107.0	174
1.250	5.3	1219	19015	23.2	96.4	263
1.125	5.3	1207	19145	29.2	87.4	300
1.000	5.2	1183	19350	36.6	77.1	332
0.875	5.0	1130	19595	44.8	65.2	343
0.750	4.8	1077	20175	53.3	52.1	327
0.625	4.4	1020	20895	62.4	39.0	286
0.500	4.1	944	21870	71.9	26.7	225
0.375	3.7	860	23105	81.0	16.0	152
0.250	3.4	785	24310	90.2	7.8	83
0.000	3.1	726	25410	101.5	0.0	0



Orifice (mm)	Amps	Watts (In)	RPM	Vac (mm H ₂ O)	Flow (L/Sec)	Air Watts
48.0	5.2	1183	19361	162	54.1	86
40.0	5.3	1196	19297	309	51.5	155
30.0	5.3	1212	19087	673	43.2	283
23.0	5.1	1143	19534	1086	32.2	340
19.0	4.8	1076	20189	1358	24.5	326
16.0	4.5	1022	20866	1576	18.7	288
13.0	4.1	952	21773	1802	13.2	231
10.0	3.8	873	22920	2023	8.3	163
6.5	3.4	789	24250	2279	3.9	86
0.0	3.1	726	25410	2578	0.0	0

Note: Metric performance data is calculated from the ASTM data above.

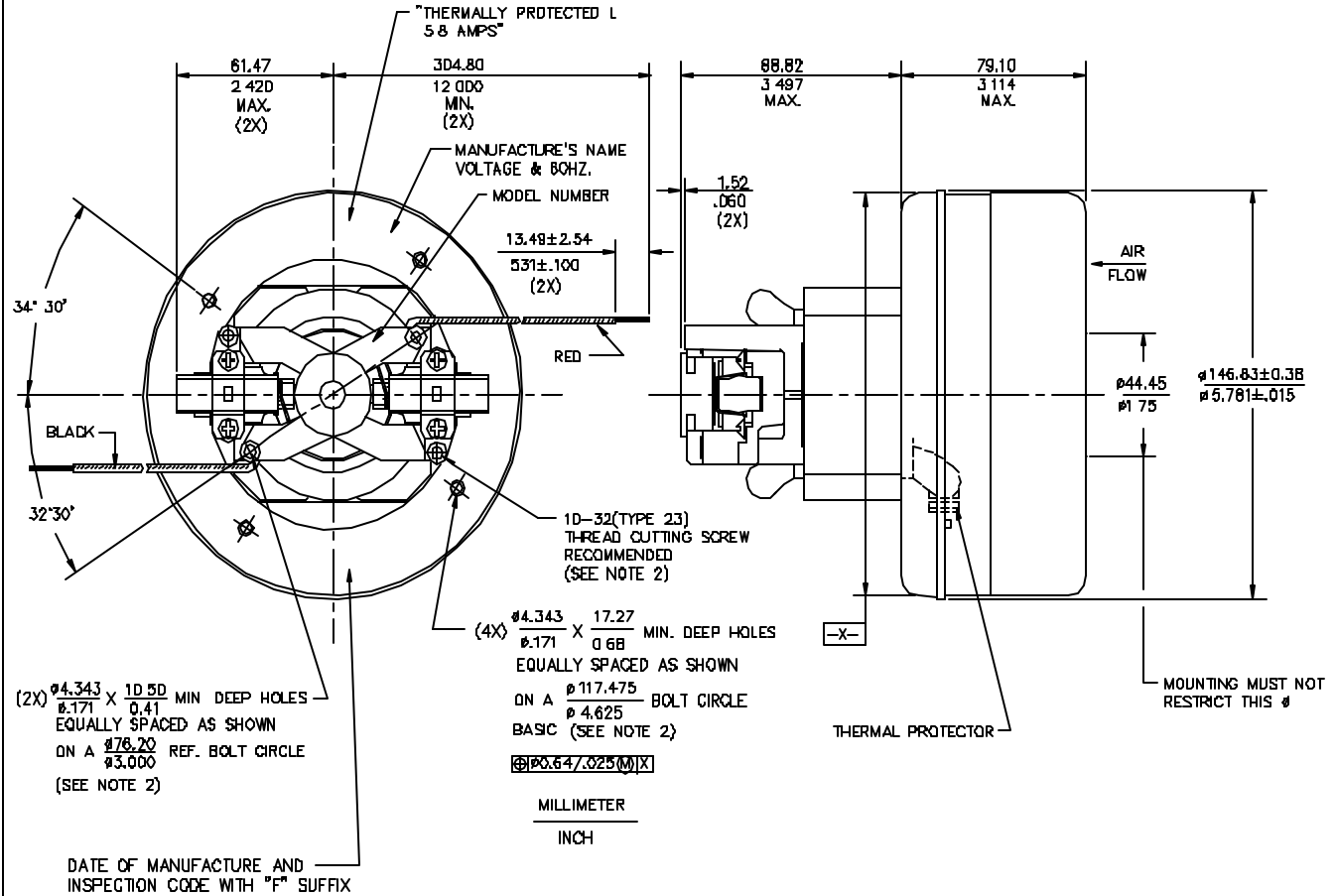
* Data represents performance of a typical motor sampled from a large production quantity. Individual motor data may vary due to normal manufacturing variability.

Test Specs:	240 volts	Minimum Sealed Vacuum:	92.0"	ORIFICE:	7/8 "	Minimum Vacuum:	39.0"	Maximum Watts:	1225
-------------	-----------	------------------------	-------	----------	-------	-----------------	-------	----------------	------

DIMENSIONS

NOTES:

1. LEADS: BLACK AND RED, 18GA. STRANDED (BLACK LEAD IS THERMAL PROTECTOR LEAD.)
2. GROUNDING OR EARTHING PROVISIONS: USE HOLES AS INDICATED FOR GROUNDING OR EARTHING. REFER TO APPROPRIATE LISTING OR REGULATORY AGENCY FOR PROPER METHOD OF GROUNDING OR EARTHING.



IMPORTANT NOTE: Pictorial and dimensional data are subject to change without notice. Contact factory for current revision levels.

WARNING - AMETEK Lamb Electric thru-flow vacuum motors must never be used in applications in which wet or moist conditions are involved, where dry chemicals or other volatile materials are present, or where airflow may be restricted or blocked. Such motors are designed to permit the vacuumed air to pass over the electrical winding to cool it. Thus any foam, liquid (including water), dry chemical, or other foreign substance coming in contact with electrical conductors could cause combustion (depending on volatility) or electrical shock. Failure to observe these precautions could result in property damage and severe personal injury, including death in extreme cases. All applications incorporating Lamb Electric motors should be submitted to Underwriters Laboratories Inc or other appropriate organizations or agencies for testing specifically related to the safety of your equipment.

AMETEK/Lamb Electric Division
 627 Lake Street
 Kent, Ohio 44240
 U.S.A.
 Tel: (330) 673-3451
 Fax: (330) 673-8994

Ametek GmbH
 Weillimdorfer Str. 47
 D-70825 Korntal-Munchingen
 Germany
 Phone: + 49-711-838-7876
 Fax: + 49-711-838-7862

AMETEK/Singapore Private Limited
 10 Ang Mo Kio Street 65
 # 05-12 Techpoint
 Singapore 2056
 Tel: + 65-484-2388
 Fax: + 65-481-6588