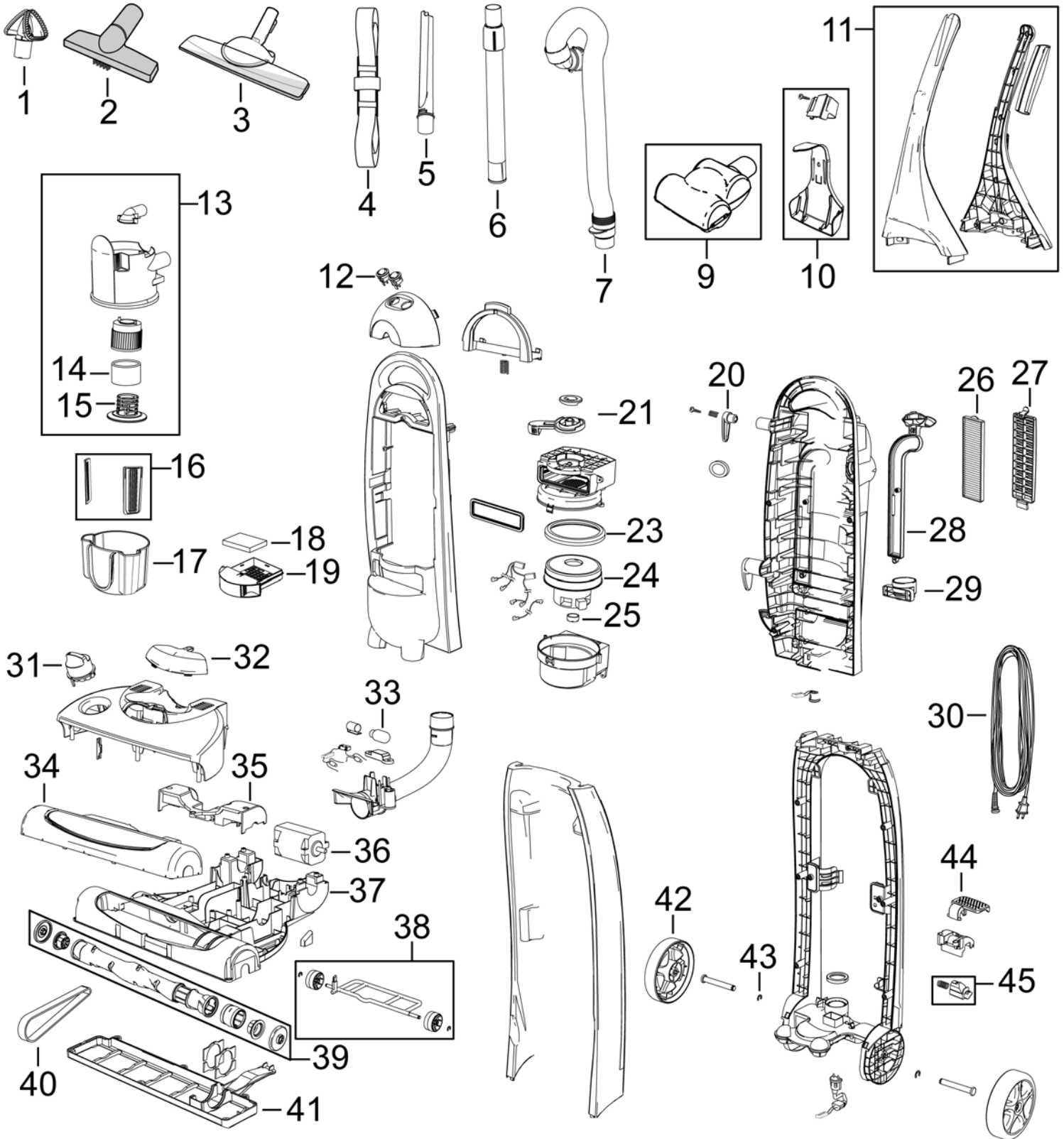




# Lift-Off<sup>®</sup> Revolution

## Series 3760, 4220, 6850, 6860



Bissell Homecare Inc. (U.S.)  
Phone: 1-800-457-1509  
Fax: 1-800-517-9535  
partner.bissell.com

Bissell Canada  
Phone: 1-800-465-1283 ext. #28  
Fax: 905-356-0625  
Email: Canada.custhelp@bissell.com

Issued: August 2005

Revised: October 2005

© 2005 BISSELL Homecare, Inc.

# Lift-Off® Revolution

Series 3760, 4220, 6850, 6860



KEY	PART NO	DESCRIPTION
1	2031023	Upholstery/Dusting Brush Tool
2	2036624	Stair Tool
3	2032081	Bare Floor Tool
4	2035542	Shoulder Strap
5	2031063	Crevice Tool
6	2036625	Telescoping Wand
7	2032073	Hose Assy
9	2031227	Turbo Brush
10	2032082	Turbo Bracket Assy
11	2036600	Handle Assy - Tango Red Metallic
11	2032078	Handle Assy - Broadway Bronze
11	2036642	Handle Assy - Acier
11	2036787	Handle Assy - Platinum Gold
11	2032132	Handle Assy - Bali Blue
12	2107221	Power Switch
13	2036780	Upper Tank - Clear / Sunny Gold
13	2036779	Upper Tank - Clear / Arctic Blue w/ Filter Clean
13	2036781	Upper Tank - Berry / Taupe w/ Filter Clean
14	2031085	Upper Tank Filter
15	2036784	Grille Cap - Sunny Gold
15	2036782	Grille Cap - Arctic Blue
15	2036783	Grille Cap - Taupe
16	2036775	Dirt Cup Screen - (RT & LT) - Sunny Gold
16	2036771	Dirt Cup Screen - (RT & LT) - Arctic Blue
16	2036773	Dirt Cup Screen - (RT & LT) - Taupe
17	2036737	Dirt Cup - Clear
17	2036738	Dirt Cup - Berry
18	2031073	Pre-Motor Filter
19	2036606	Filter Tray
20	2031269	Cord Release
21	2036786	Lock n' Seal Lever - Grey
23	2036635	Motor Cushion - Large
24	2036789	Vacuum Motor
25	2036629	Motor Cushion - Small
26	2036608	HEPA Filter - Style 8
27	2036609	Post Motor Filter Grille
28	2036788	Hose Hanger / Cyclone Duct
29	2036610	Hose Guide
30	2036626	Cord
31	2036632	Height Adjustment Knob - Grey
31	2032076	Height Adjustment Knob - Taupe
32	2036623	Headlight Lens
33	2031297	Light Bulb - 12V
34	2036622	Brush Window
35	2031326	Neck Brush
36	2036634	Brush Motor
37	2031273	Foot Base Assy
38	2036621	Front Wheel Assy
39	2036777	Brush - Arctic Blue
39	2036778	Brush - Euro Yellow
40	2106679	Belt - Style 8
41	2036620	Access Plate
42	2036627	Rear Wheel
43	2032548	E-Ring
44	2036604	Detent Lever
45	2032103	Slider Release
xx	2109940	Screw Pack - Handle & Detent Lever
xx	2109943	Screw Pack - Headlight Lens
xx	2035568	User's Guide - Canada
xx	2035567	User's Guide - United States

Tango Red Metallic = 37601, 3760C, 3760H, 3760T, 4220  
 Broadway Bronze = 37603, 3760V  
 Acier = 3760D, 6850  
 Platinum Gold = 68602, 6860X  
 Bali Blue = 6860C  
 Santa Fe Brown Satin = 42205

BISSELL Homecare, Inc. (U.S.)  
 Phone: 1-800-457-1509  
 Fax: 1-800-517-9535  
 partner.bissell.com

Bissell Canada  
 Phone: 1-800-465-1283 ext. #28  
 Fax: 905-356-0625  
 Email: Canada.custhelp@bissell.com

Issued: 08/05  
 Revised: 10/05  
 © 2005 BISSELL Homecare, Inc.