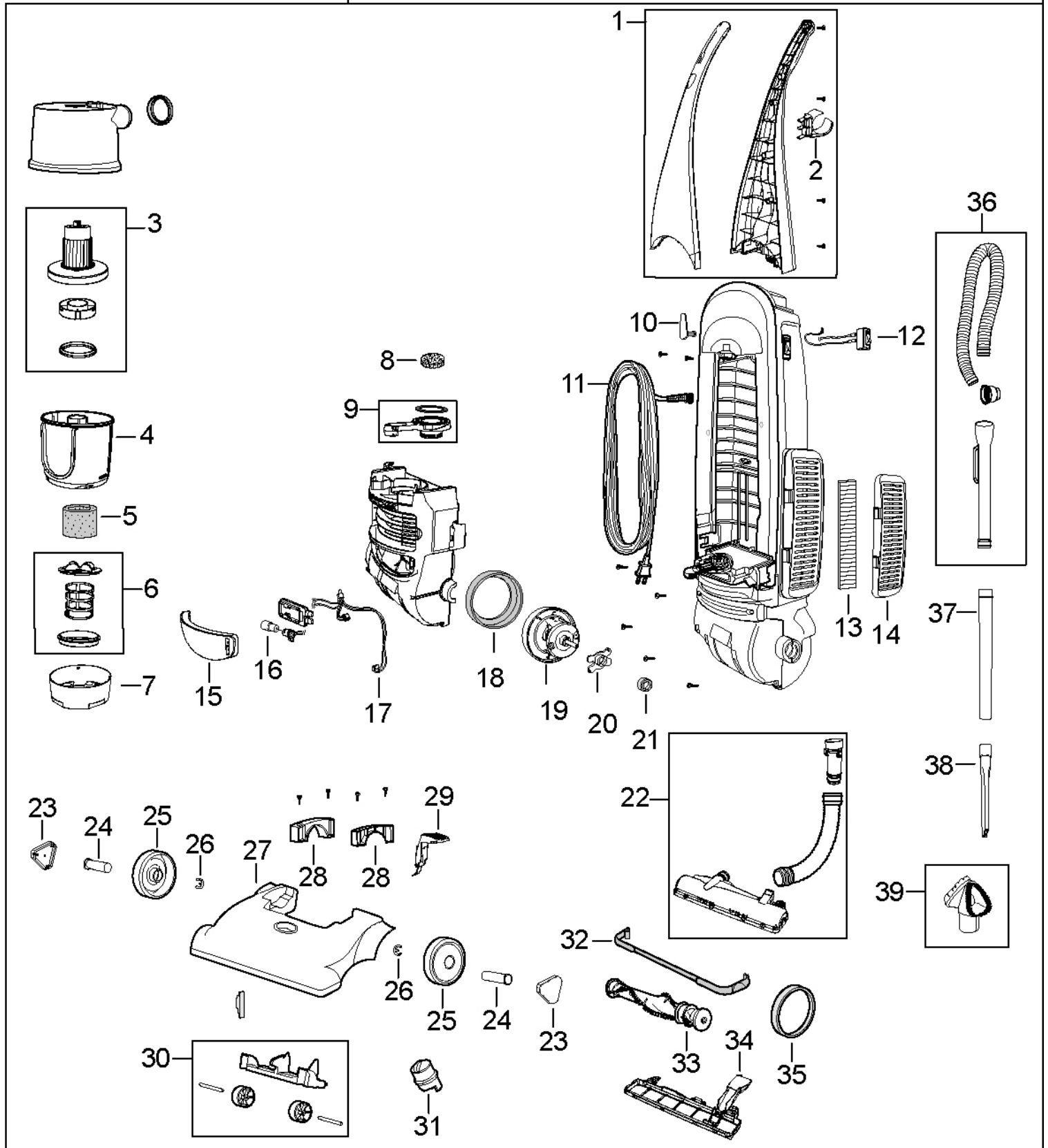




# CLEANVIEW II BAGLESS

## Model 3576-H



BISSELL Service Center Dept.  
1-800-457-1509  
Fax: 1-800-517-9535  
partner.bissell.com

Issued: May 2004

©2004 BISSELL Homecare, Inc.

# BAGLESS VACUUM

CleanView II™ Models 3576, 3576H



KEY	PART NO	DESCRIPTION
1	2031078	Upper Handle Assy - Black
2	2031028	Hanger - Hose
3	2031180	Cyclone Assy
4	2031250	Dirt Cup
5	2031192	Foam Filter
6	2031183	HEPA Filter
7	2031182	Filter Case
8	2031215	Lever Filter
9	2031190	Lock n' Seal Lever
10	2031198	Cord Release
11	2031067	Power Cord
12	2031035	Switch - Rocker
13	2231047	Post Motor Filter - 3M/HEPA
14	2031088	Post Motor Filter Grill
15	2031248	Headlight Lens
16	2031007	Lamp - Incandescent
17	2031213	Wire Harness - Thermo
18	2031218	Motor Cushion - Large
19	2031214	Motor
20	2031217	Motor Support
21	2031107	Motor Cushion - Small
22	2031240	Case Drum Assy.
23	2032065	Wheel Cap - Black
24	2032547	Axle
25	2032037	Rear Wheel
26	2032548	E-Ring
27	2032119	Top Cover - Black
28	2031222	Neck Brush
29	2030052	Lever Release
30	2031330	Roller Assy. W/ Axle
31	2031095	Height Adjustment Knob
32	2031241	Bumper
33	2031195	Brush
34	2031185	Access Plate
35	2031093	Belt
36	2031249	Hose Assy.
37	2031084	Extension Wand
38	2031063	Crevice Tool
39	2031099	Dust Brush Combo Tool
xx	2031003	Screw - Handle/Hose Cuff
xx	2032559	User's Guide

BISSELL Homecare, Inc. (U.S.)

Phone: 1-800-457-1509

Fax: 1-800-517-9535

partner.bissell.com

Bissell Canada

Phone: 1-800-465-1283 ext. #28

Fax: 905-356-0625

Email: Canada.custhelp@bissell.com

Issued: May 2004

Revised: November 2005

© 2005 BISSELL Homecare, Inc.