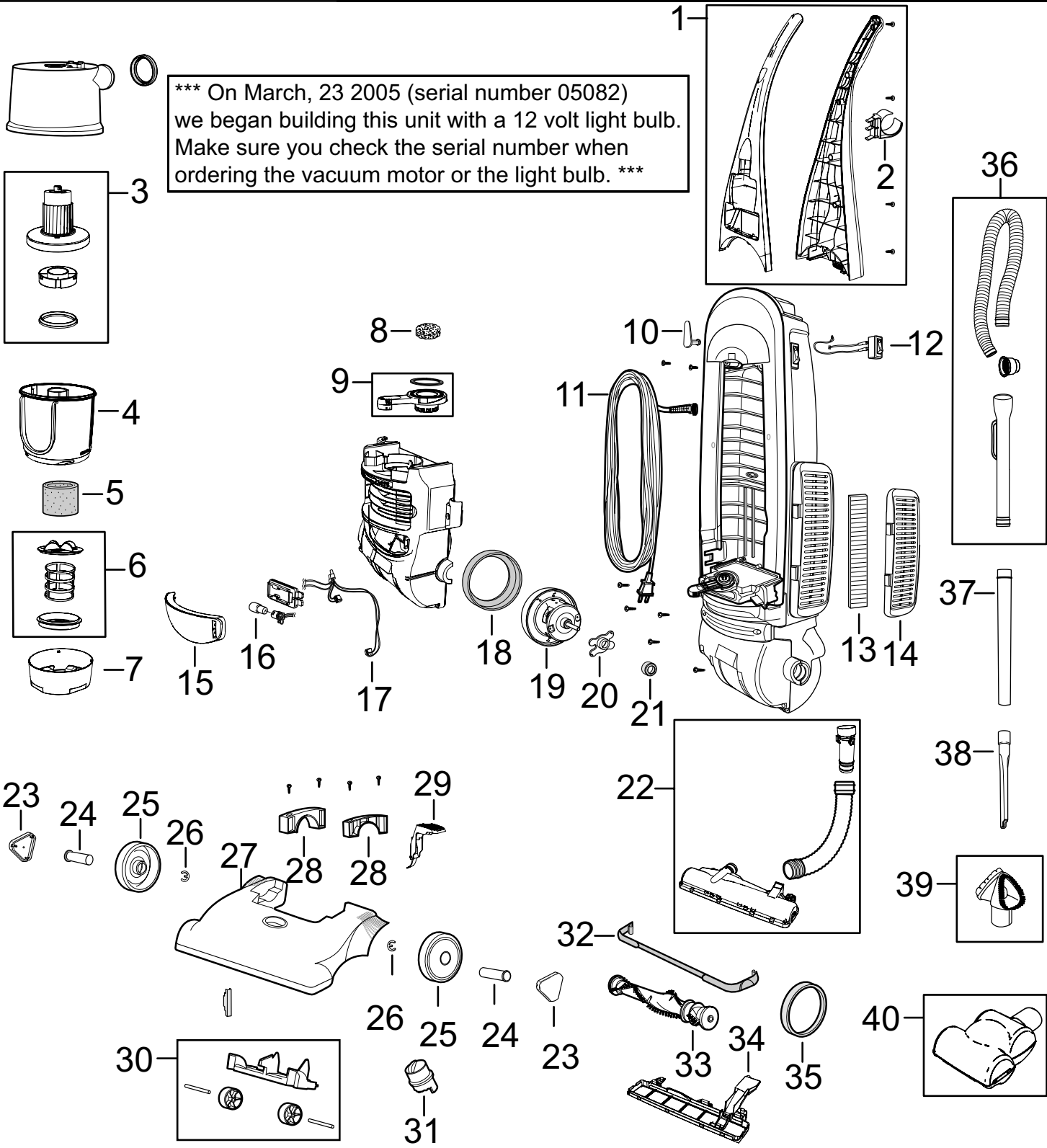




CLEANVIEW II BAGLESS

Model 3576-6, 3576-C

*** On March, 23 2005 (serial number 05082) we began building this unit with a 12 volt light bulb. Make sure you check the serial number when ordering the vacuum motor or the light bulb. ***



Bissell Homecare Inc. (U.S.)
 Phone: 1-800-457-1509
 Fax: 1-800-517-9535
 partner.bissell.com

Bissell Canada
 Phone: 1-800-465-1283 ext. #28
 Fax: 905-356-0625
 Email: Canada.custhelp@bissell.com

Issued: February 2005

Revised: April 2005

© 2005 BISSELL Homecare, Inc.

BAGLESS VACUUM

CleanView II™ Model 3576-6, 3576-C



KEY	PART NO	DESCRIPTION
1	2036668	Upper Handle Assy w/ TurboBrush Holder - Black
2	2031028	Hanger - Hose
3	2031180	Cyclone Assy
4	2031250	Dirt Cup
5	2031192	Foam Filter
6	2031183	HEPA Filter
7	2031182	Filter Case
8	2031215	Lever Filter
9	2031190	Lock n' Seal Lever
10	2031198	Cord Release
11	2031067	Power Cord
12	2031035	Switch - Rocker
13	2231047	Post Motor Filter - 3M/HEPA
14	2031088	Post Motor Filter Grill
15	2031248	Headlight Lens
16	2031007	Light Bulb - 120V (Prior to 05082)
16	2031297	Light Bulb - 12V (Post 05082)
17	2031213	Wire Harness - Thermo
18	2031218	Motor Cushion - Large
19	2031214	Motor (Prior to 05082)
19	2032211	Motor (Post 05082)
20	2031217	Motor Support
21	2031107	Motor Cushion - Small
22	2031240	Case Drum Assy.
23	2032065	Wheel Cap - Black
24	2032547	Axle
25	2032037	Rear Wheel
26	2032548	E-Ring
27	2032119	Top Cover - Black
28	2031222	Neck Brush
29	2030052	Lever Release
30	2031330	Roller Assy. W/ Axle
31	2031095	Height Adjustment Knob
32	2031241	Bumper
33	2031195	Brush
34	2031185	Access Plate
35	2031093	Belt
36	2031249	Hose Assy.
37	2031084	Extension Wand
38	2031063	Crevice Tool
39	2031099	Dust Brush Combo Tool
40	2031227	Turbobrush
xx	2031003	Screw - Handle/Hose Cuff
xx	9992559	User's Guide - Canada
xx	2032559	User's Guide - United States

***** On March, 23 2005 (serial number 05082) we began building this unit with a 12 volt light bulb. Make sure you check the serial number when ordering the vacuum motor or the light bulb. *****

BISSELL Homecare, Inc. (U.S.)

Phone: 1-800-457-1509

Fax: 1-800-517-9535

partner.bissell.com

Bissell Canada

Phone: 1-800-465-1283 ext. #28

Fax: 905-356-0625

Email: Canada.custhelp@bissell.com

Issued: 02/05

Revised: 12/05

© 2005 BISSELL Homecare, Inc.