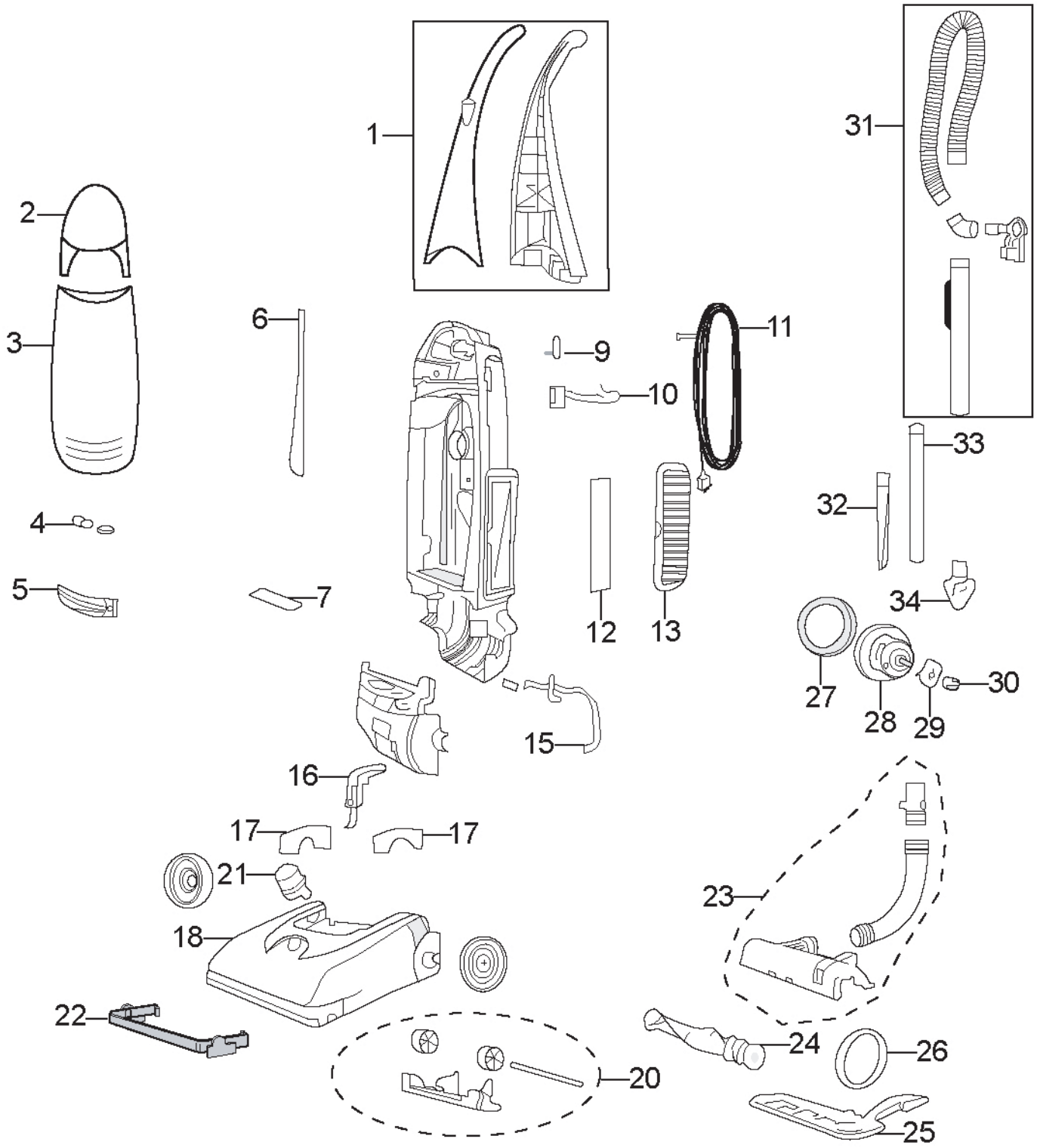




UPRIGHT VACUUM

Model 3522



Bissell Homecare Inc. (U.S.)
Phone: 1-800-457-1509
Fax: 1-800-517-9535
partner.bissell.com

Bissell Canada
Phone: 1-800-465-1283 ext. #28
Fax: 905-356-0625
Email: Canada.custhelp@bissell.com

Issued: June 2001

Revised: April 2005

© 2005 BISSELL Homecare, Inc.

Upright Vacuum

POWERFORCE™ Model 3522



KEY	PART NO	DESCRIPTION
1	2031098	HANDLE ASSY, BLACK
2	2031109	TOP PANEL, BLACK
3	2031087	DUST COVER ASSY, BLACK
4	2031007	LAMP, INCANDESCENT
5	2031008	WINDOW, LAMP
6	2031106	WIRE CAP
7	2031089	FILTER KIT - (1) PRE / (1) POST
8	NLA	BODY BASE
9	2031018	CORD RELEASE
10	2031035	SWITCH ROCKER
11	2031105	POWER CORD
12	2031009	POST MOTOR FILTER
13	2031088	FILTER GRILLE - POST
14	NLA	COVER - MOTOR LAMP
15	2031108	HARNESS THERMO
16	2031044	LEVER RELEASE
17	2031112	RIGHT NECK BRUSH
17	2031112	LEFT NECK BRUSH
18	2031113	FOOT COVER - BLACK
19	NLA	REAR WHEEL
20	2032556	ROLLER ASSY
21	2031095	KNOB
22	2031114	BUMPER
23	2031110	CASE DRUM ASSY
24	2032032	BRUSH
25	2031091	BRUSH COVER
26	2031093	BELT
27	2031107	MOTOR CUSHION - LARGE
28	2031100	VACUUM MOTOR
29	2031101	MOTOR SUPPORT
30	2031102	MOTOR CUSHION - SMALL
31	2031097	HOSE ASSY
32	2031063	CREVICE TOOL
33	2031022	EXTENSION WAND
34	2031099	COMBO TOOL UPH/DUSTING
xx	2031003	SCREW FOR HANDLE ASSY
xx	2106103	USERS GUIDE
xx	2032553	BELT GUIDE
xx	32120	STYLE 7 BAG (3-PACK)
xx	32074	STYLE 7 BELT (2-PACK)

BISSELL Homecare, Inc. (U.S.)

Phone: 1-800-457-1509

Fax: 1-800-517-9535

partner.bissell.com

Bissell Canada

Phone: 1-800-465-1283 ext. #28

Fax: 905-356-0625

Email: Canada.custhelp@bissell.com

Issued: 06/01

Revised: 04/05

© 2005 BISSELL Homecare, Inc.