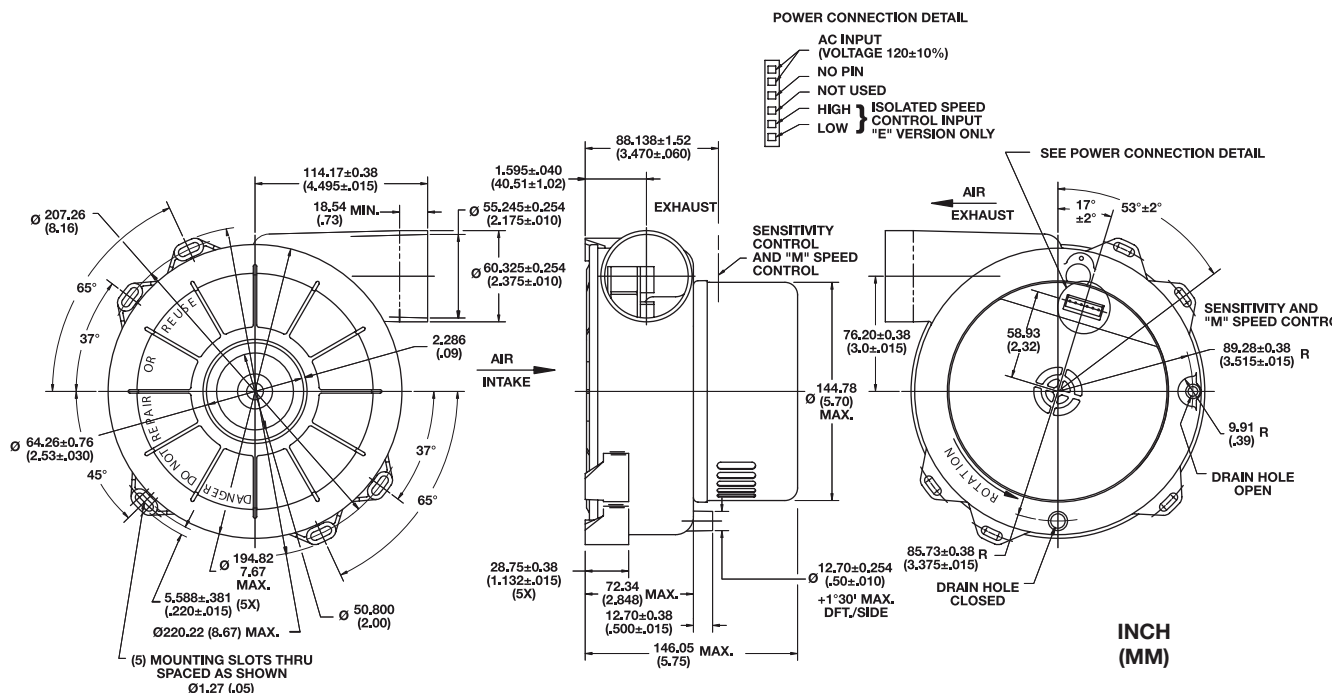


Nautilair™ 8.0" (204mm) Variable Speed Blower

120 Volt AC Input, Single Phase, Standard Output



Model	Voltage (AC)	Version "M" Mechanical on-board (Potentiometer) speed control	Version "E1" Electronic PWM speed control input 15-45 VDC @ 500Hz-10KHz
Standard Output Models			
117814-00	120	X	
TBD	220		X

NOTES:

- Designed for high efficiency, low NOx & CO emission gas-fired combustion systems
- Brushless DC motor with hall effect sensor feedback
- Internal electronic commutation controller with built in speed control and protection features
- Polypropylene housing and impeller
- Long life, sealed, ball bearings with high temperature grease
- The performance points listed in the charts depict maximum typical performance levels. This is a variable speed product and therefore operates at most performance points lower than those listed.
- The standard blower model's speed is controlled through the application of a 0 – 10VDC nominal reference voltage input signal or adjustment of an on-board mechanical potentiometer, depending on model.
- Agency recognized component to UL507 per file# E-94403, and CSA C22.2#113 per file# LR 43448.
- Sealed, molded fan housing
- 240VAC, single phase input powered models also available.
- This document is for informational purposes and should not be considered as a binding description of the products or their performance in all applications.