

AVERAGE OF 3 TESTS

AMETEK, Lamb Electric Division  
Kent, Ohio 44240

BOX\*



VACUUM-AIRFLOW PERFORMANCE DATA  
\*CFM=13.35\*DIAM^2\*CORRVAC^0.5\*\*

Test #          AVERAGE Customer File          Test Date 08-28-85  
 Cleaner Name & Model # MOTOR ALONE Serial #          File 19  
 Motor Model 116493-50 Test Voltage 120 Volts Frequency 60 Hz  
 Motor ID AVG Tested on Box F-1462-B  
 Type of Filter          Hose Lgth/ID          Leaks Sealed?         

REMARKS

5.7", 2-STG, B/P, P/D.

ORIF DIAM	AMPS	WATTS	CORR WATTS	RPM	VAC " H2O	CORR VAC " H2O	CFM	AIR WATTS	EFF (%)
2	8.76	980	1002	18500	3.43	3.5	100.5	41.7	4.2
1 3/4	8.80	984	1006	18450	5.73	5.9	99.4	68.9	6.9
1 1/2	8.86	989	1012	18383	10.07	10.4	96.8	117.9	11.6
1 1/4	8.95	998	1021	18317	17.87	18.4	89.5	193.5	18.9
1 1/8	8.93	996	1019	18267	23.93	24.7	83.9	243.0	23.9
1	8.91	994	1016	18383	31.47	32.4	76.0	289.5	28.5
7/8	8.74	974	996	18533	39.63	40.8	65.3	313.3	31.4
3/4	8.40	940	962	18867	48.00	49.5	52.8	306.7	31.9
5/8	7.92	891	912	19517	56.03	57.7	39.6	268.7	29.5
1/2	7.28	825	844	20300	63.33	65.3	27.0	206.6	24.5
3/8	6.66	760	777	21300	70.50	72.7	16.0	136.5	17.6
1/4	6.10	703	719	22333	77.53	79.9	7.5	70.0	9.7
Sealed Hot*	5.67	656	671	23167	87.4	90.1			
Sealed Cold**	5.67	655	670	23167	87.6	90.3			

\*Sealed reading taken immediately after above series of tests.  
\*\*Sealed reading taken 10 seconds after sealing cold motor.

Voltmeter # MAG Ammeter # MAG Wattmeter # MAG

Room Temp 78.3 °F or 26.7 °C Absolute Bar. Press. 29.11 "Hg

Meter Loss Correction 0 Watts Air Density Ratio .954

Correction Factors for Standard Air Density (68°F, 30% RH, 29.92" Hg)

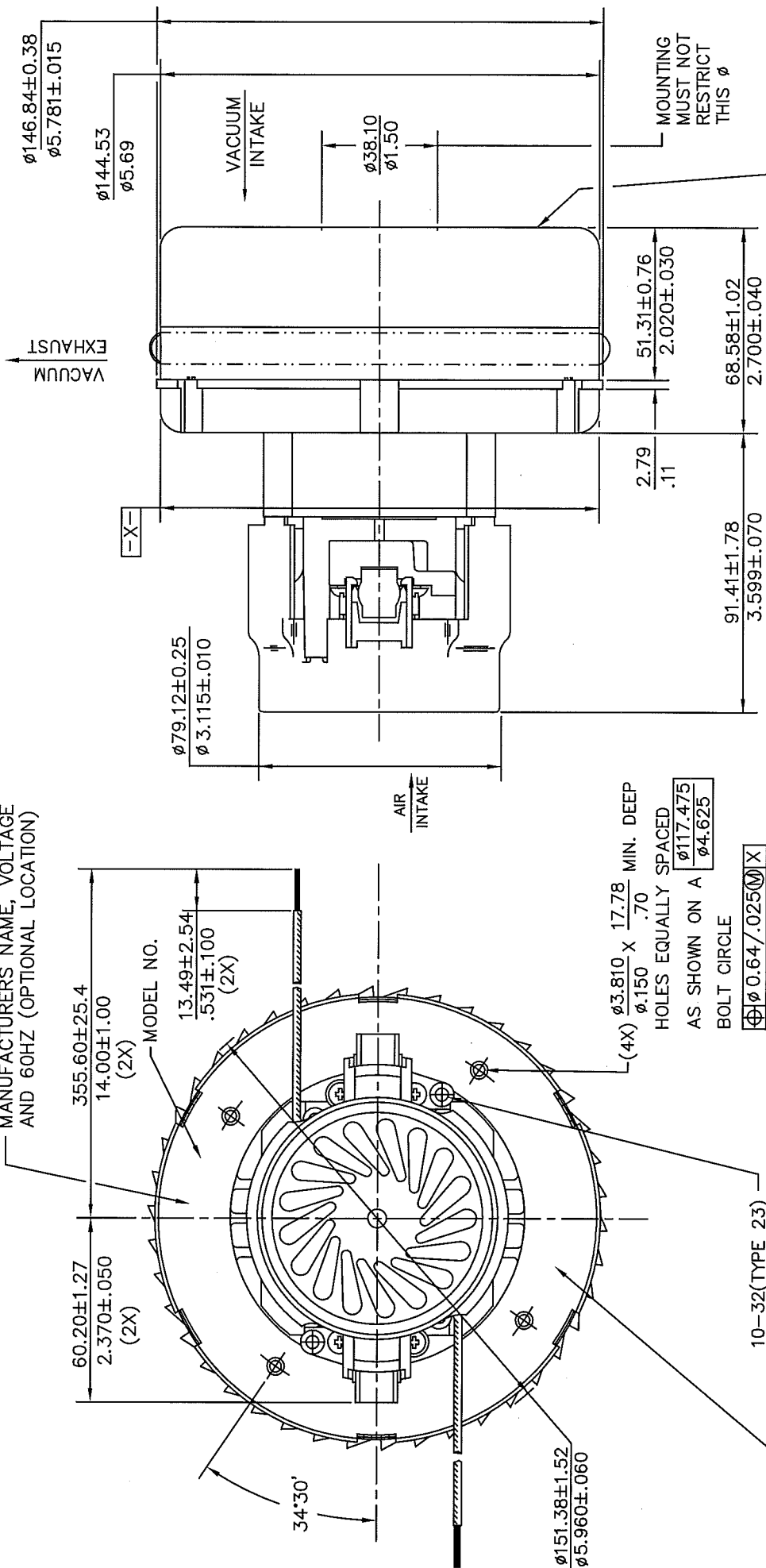
Watt Correction Factor 1.023 Vacuum Correction Factor 1.031

Test Run by:

REVISIONS	
SYMBOL NO.	DESCRIPTION
A	21235 FORM & UPDATED ON CAD & HOUSING STYLE -HF 10-9-92
	DATE APPROVED

- NOTES:
- LEADS: 18GA STRANDED, LEADS CAN BE ANY COLOR EXCEPT GREEN OR GREEN WITH YELLOW STRIPE.
  - GROUNDING OR EARTHING PROVISIONS: USE HOLES AS INDICATED FOR GROUNDING OR EARTHING. REFER TO APPROPRIATE LISTING OR REGULATORY AGENCY FOR PROPER METHOD OF GROUNDING OR EARTHING.
  - RECOMMENDED SCREW SIZE 10-16 TYPE BT OR TYPE 25 THREAD CUTTING SCREW. MAXIMUM PENETRATION 17.40/.685.

MANUFACTURERS NAME, VOLTAGE AND 60HZ (OPTIONAL LOCATION)



MANUFACTURERS NAME, VOLTAGE AND 60 HZ

MILLIMETER INCH

DATE	10-9-92
DRAFTSMAN	M. FOX
CHECKER	B. CICCARELLI
ENGINEER	
EXAMINER	
APPROVAL	
UNLESS OTHERWISE SPEC. REMOVE BURRS BREAK SHARP EDGES .005/.020 TOLERANCES XX XXX ANGLES $\pm 0.51 \pm 0.130 \pm 0.30' \pm .02 \pm .005$	
TREATMENT	
FINISH	
APPLICATION	
NEXT ASSY. USED ON	
DATE OF MANUFACTURE AND INSPECTION CODE WITH "F" SUFFIX	

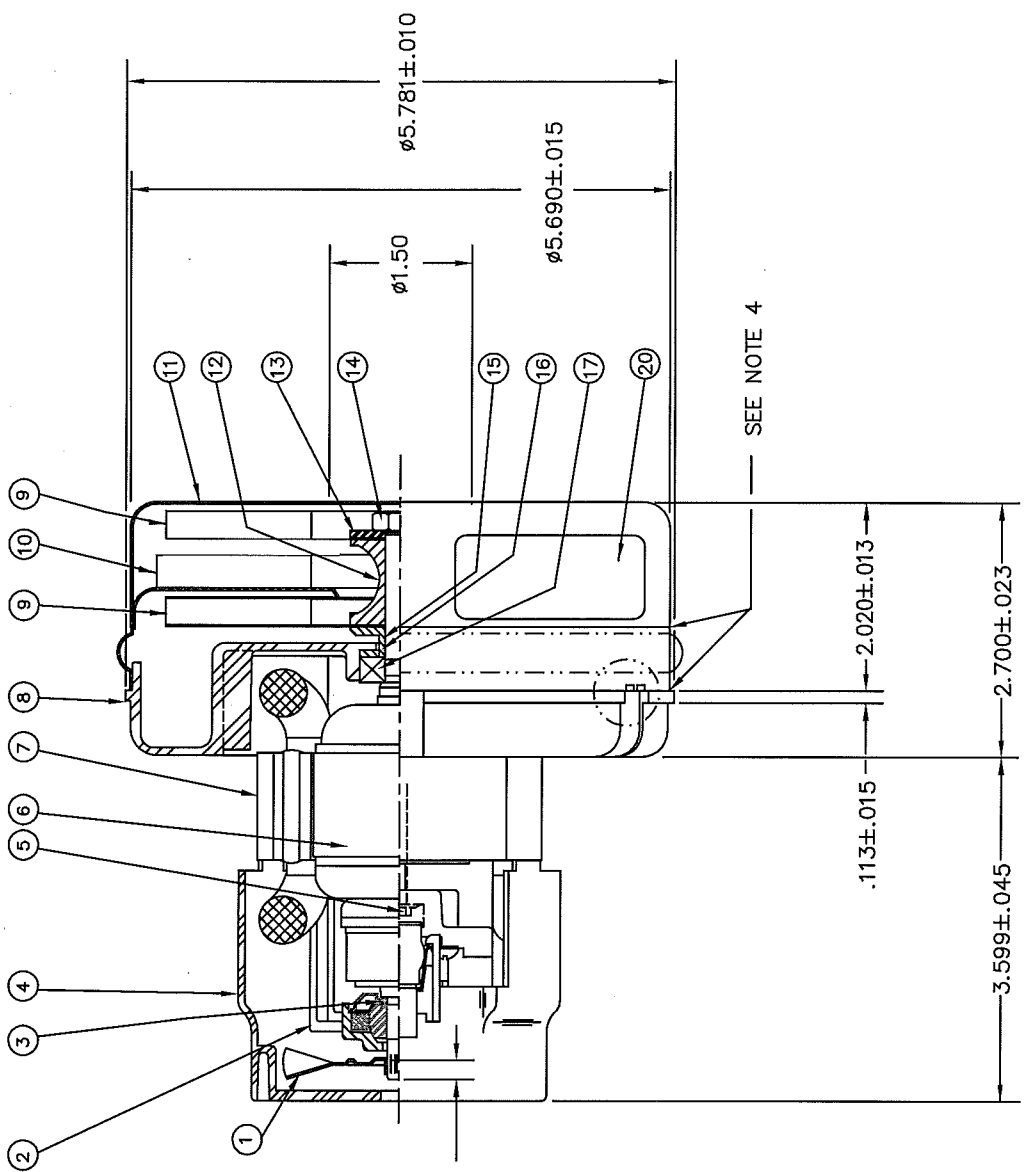
SIZE	C	CODE	75511
DWG. NO.	116493-50-0		
SCALE	FULL		
WT.	REF:116447-00		
TITLE	OUTLINE 120V 1 1/8 STK.		

CONFIDENTIAL

THIS PRINT AND THE SPECIFICATIONS ARE THE PROPERTY OF AMETEK, LAMB ELECTRIC DIVISION, AND HAS BEEN ISSUED WITH THE UNDERSTANDING THAT IT WILL NOT BE REPRODUCED, REVEALED TO OR USED FOR MANUFACTURE FOR OTHERS, AND WILL BE RETURNED UPON REQUEST.

DATE OF MANUFACTURE AND INSPECTION CODE WITH "F" SUFFIX

PACKAGING					
21	-	2	30-5493	CLAMP	
20	-	1	40-8038	LABEL	
19	-	4	50-7971	SCREW	
18	-	2	33326	BRUSH MECHANISM	
		2	33384		
17	-	1	70-7644	BALL BEARING	
16	-	1	10-2481	NEOPRENE WASHER	
		1	10-2480		
15	-	1	20-2970	SPACER	
14	-	1	7491-1	NUT	
		1	7491		
13	-	1	20-2235	WASHER	
		1	40-2207		
12	-	1	10-2977	SPACER	
		1	10-2977-1		
		1	60-3727-4		
11	-	1	60-3727	FAN SHELL	
		1	30-3744-4		
		1	30-3744		
10	-	1	31253	STATIONARY FAN	
9	-	2	31120-20	ROTATING FAN	
8	-	1	20-6882	FAN END BRACKET	
7	-	1	315737-1	FIELD	
6	-	1	216447-00	ARMATURE	
5	-	2	60-7952-3	SCREW	
4	-	1	60-3776-4	HOUSING	
		1	10-2453	FIBRE WASHER	
3	-	1	10-2473	COMM END BRACKET	
2	-	1	22659	FAN (PRESS FLUSH WITH END OF SHAFT)	
1	-	1	31297	FAN (REQUIRES SPLINED SHAFT)	
		1	0-3930-1		
ITEM	ALT	PRIME	PART NO.	DESCRIPTION	
	REFD				



LIST OF MATERIAL